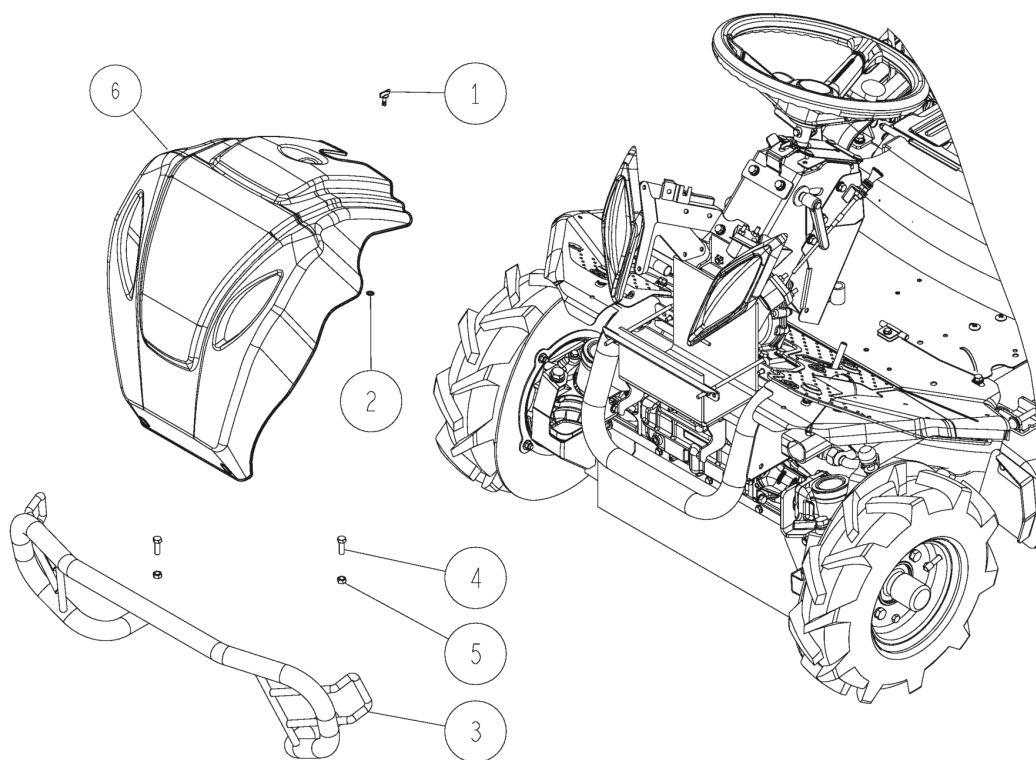


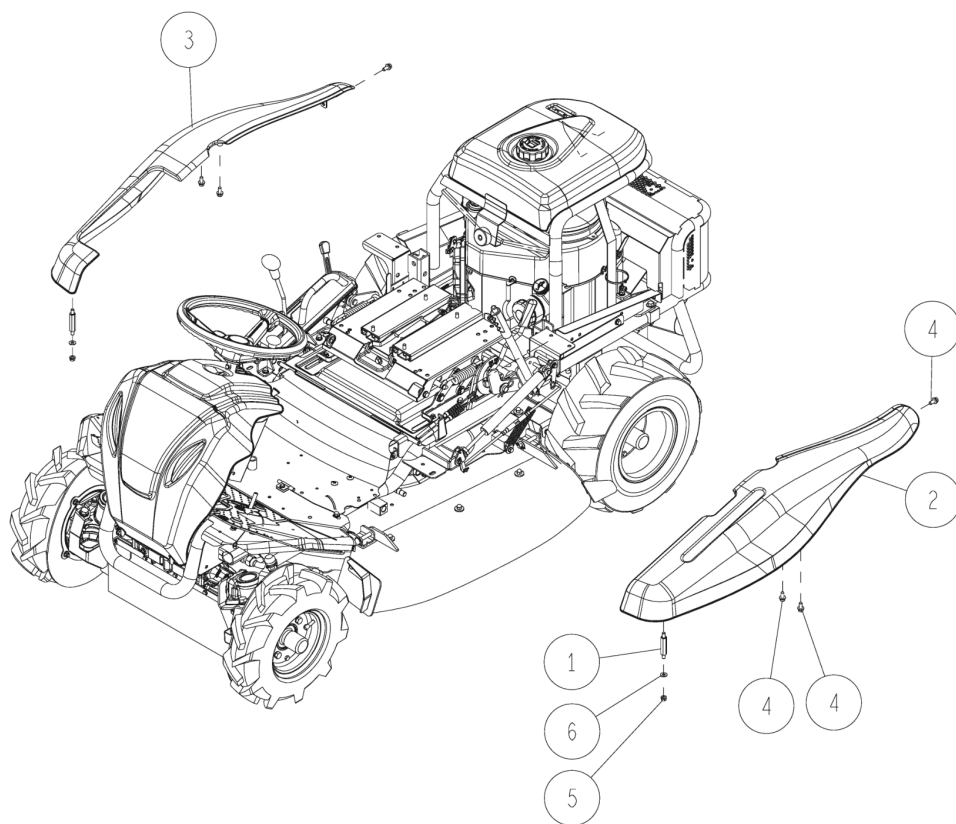
PL02571



03/2019

Number	Part Number	Name	Quantity
1	44084	FRONT COVER LOCK	1,000
2	44088	LOCK STOP	1,000
3	44276	FRONT BUMPER	1,000
4	-	-	1,000
6	44277	FRONT COVER	1,000

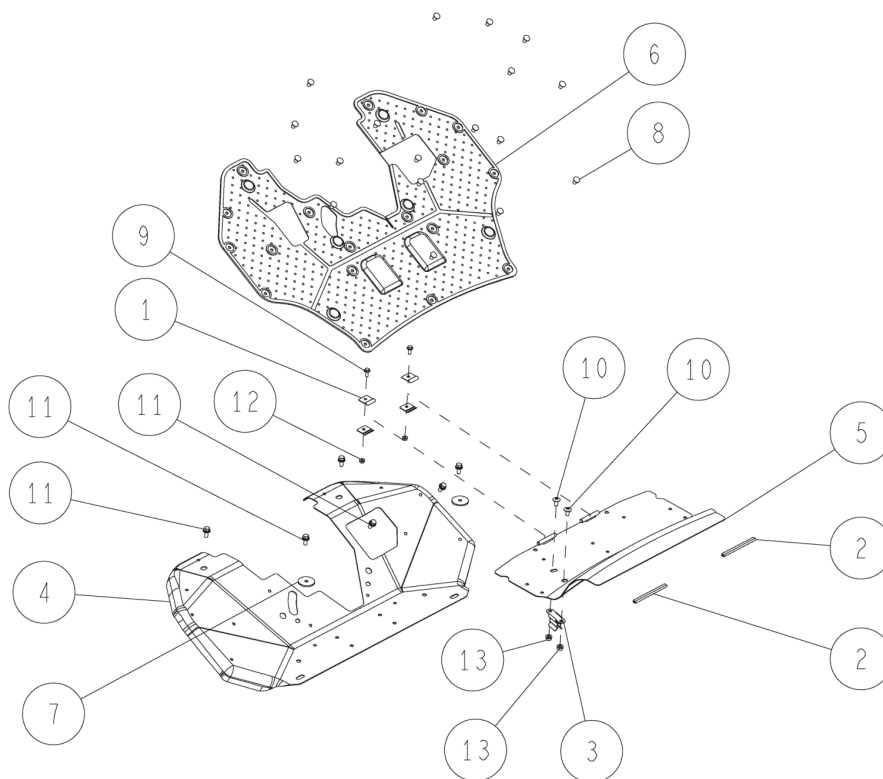
PL02572



03/2019

Number	Part Number	Name	Quantity
1	43984	STUD	1,000
2	44036	LEFT SIDE COVER	1,000
3	44037	RIGHT SIDE COVER	1,000
4	34308	SCREW M8X16	1,000
5	34315	NUT 8	1,000
6	34326	WASHER 8	1,000

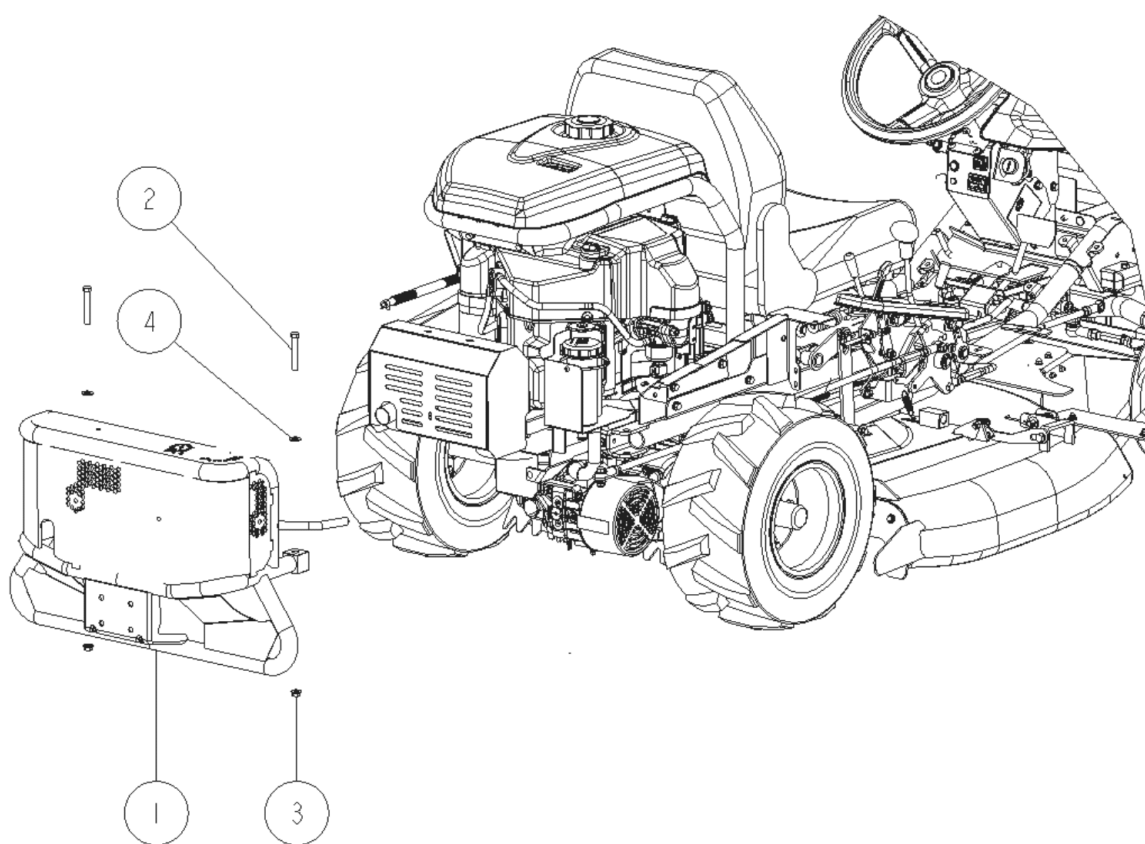
PL02573



03/2019

Number	Part Number	Name	Quantity
1	43956	CENTERING PLATE	1,000
2	43990	RUBBER 110 MM	1,000
3	44033	CLIP SEAT COVER	1,000
4	44195	RUNNING STEP	1,000
5	44196	CENTR. RUNNING STEP	1,000
6	44204	RUNNING STEP REVET.	1,000
7	27909	WASHER 8X40X2,3	1,000
8	27319	GRIP	1,000
9	27893	SCREW HM6X20+WASHER	1,000
10	34306	SCREW M8X16	1,000
11	34309	SCREW M8X20	1,000
12	34313	NUT 6	1,000
13	34315	NUT 8	1,000

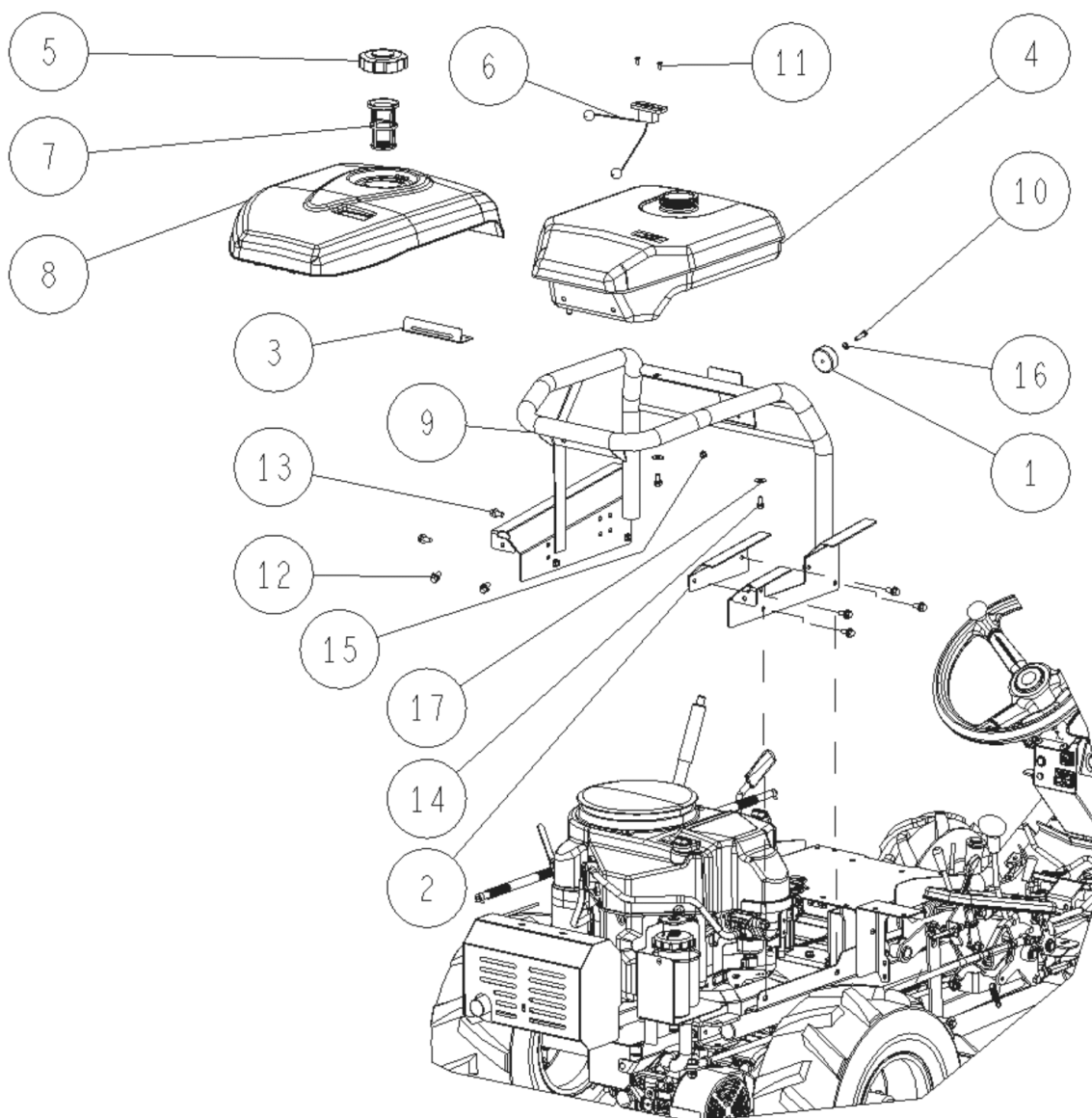
PL02389



08/2017

Number	Part Number	Name	Quantity
1	44187	REAR BUMPER	1,000
2	71064	-> 71032	1,000
3	34317	NUT 10	1,000
4	34327	WASHER 10	1,000

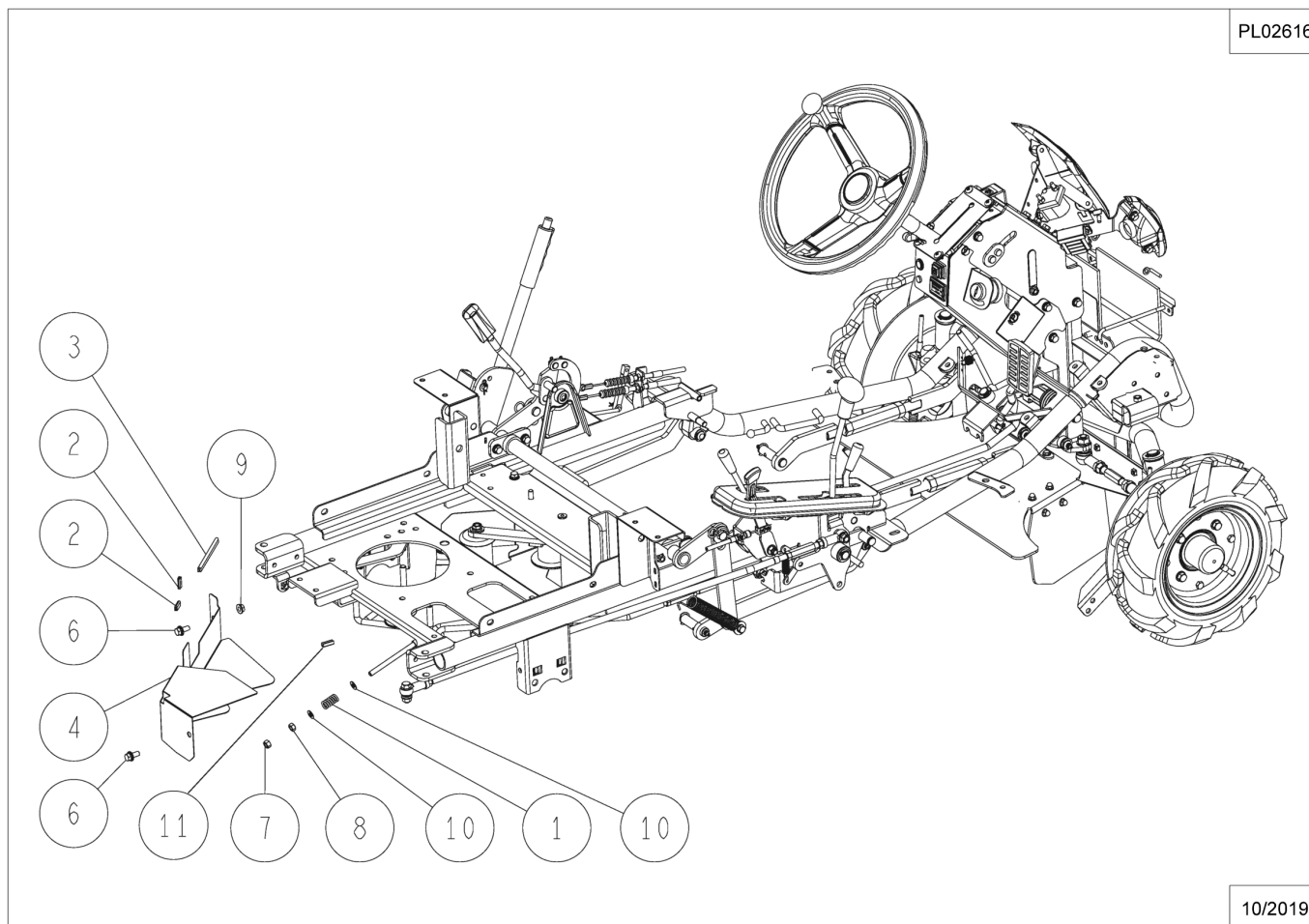
PL02390



08/2017

Number	Part Number	Name	Quantity
1	44212	RUBBER STOP	1,000
2	44075	BRACKET RIGHT	1,000
3	44076	FIXING CORNER TANK	1,000
4	44077	FUEL TANK	1,000
5	44096	TANK CAP	1,000
6	44080	FUEL GAUGE	1,000
7	44081	FUEL FILTER	1,000
8	44091	TANK COVER WITHE	1,000
9	44188	TANK BRACKET	1,000
10	-	-	1,000
12	34308	SCREW M8X16	1,000
13	34309	SCREW M8X20	1,000
16	34318	WASHER 6	1,000

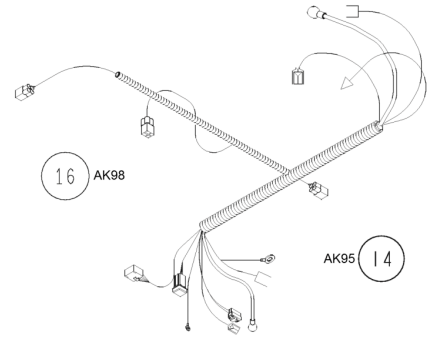
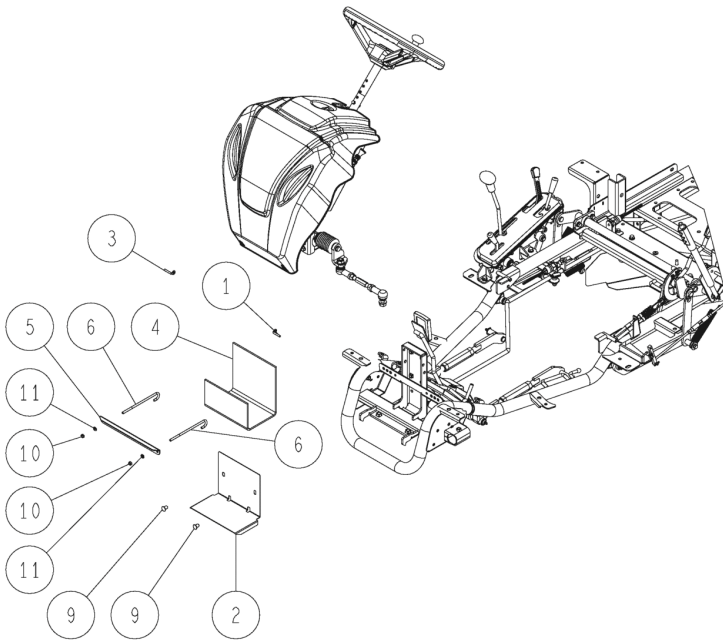
PL02616



10/2019

Number	Part Number	Name	Quantity
1	27682	BRAKE SPRING	1,000
3	43990	RUBBER 110 MM	1,000
4	44189	BELT COVER	1,000
6	34309	SCREW M8X20	1,000
7	-	-	1,000
9	27501	NUT FLANGE M8	1,000
10	34319	WASHER 8X18X1,6	1,000

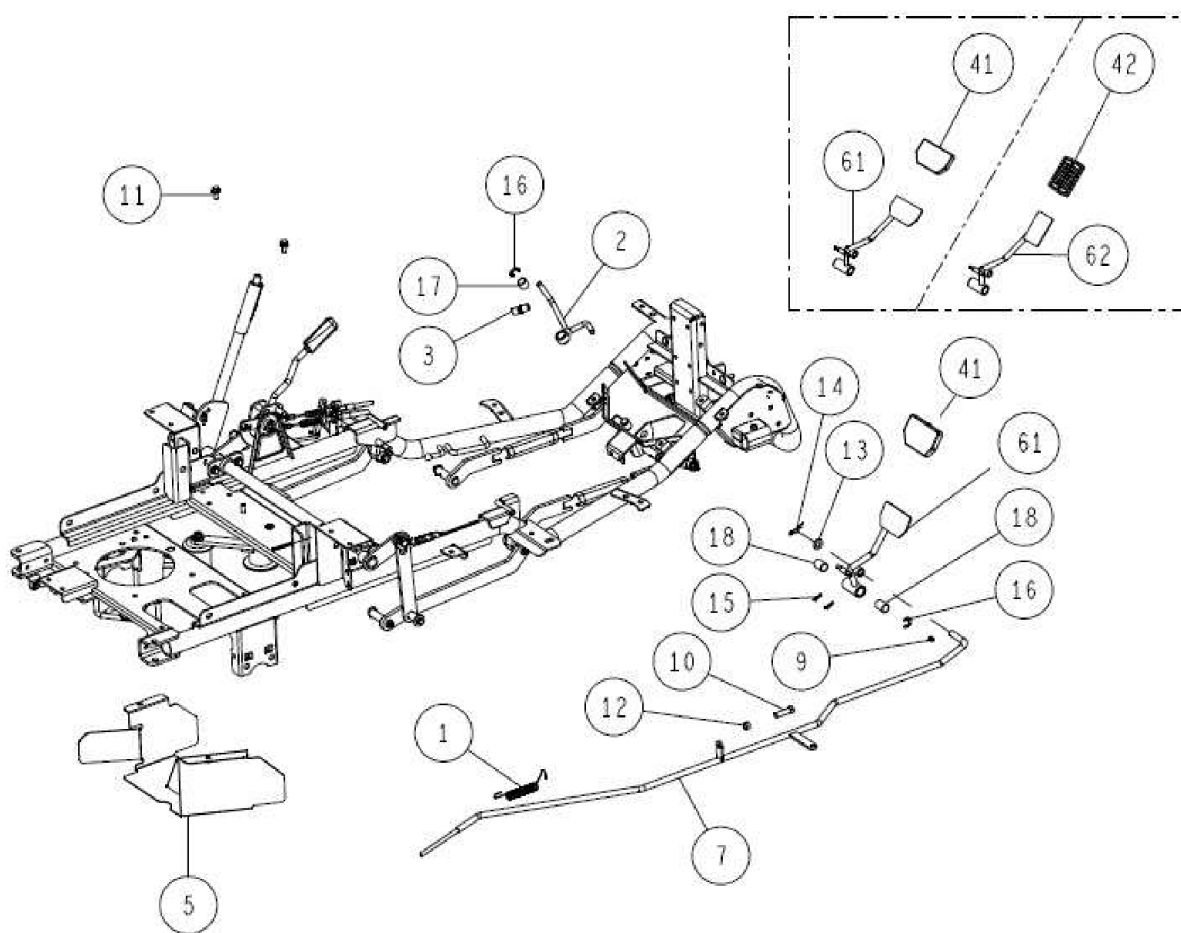
PL02617



10/2019

Number	Part Number	Name	Quantity
1	27847	BATTER.PLUS CORD230	1,000
2	44055	BATTERY BRACKET	1,000
3	44089	GROUND CABLE	1,000
4	44090	CAOUT.PROTECT.BATT.	1,000
5	44278	BATTERY FIXING	1,000
6	44279	BATTERY ROD	1,000
9	27319	GRIP	1,000
10	-	-	1,000
11	34318	WASHER 6	1,000
12	44056	BATTERY FIXING	1,000
13	27501	NUT FLANGE M8	1,000
14	44295	ELE.WIR.AK95 AK98 2	1,000
16	44294	ELEC.WIRING AK98 2	1,000

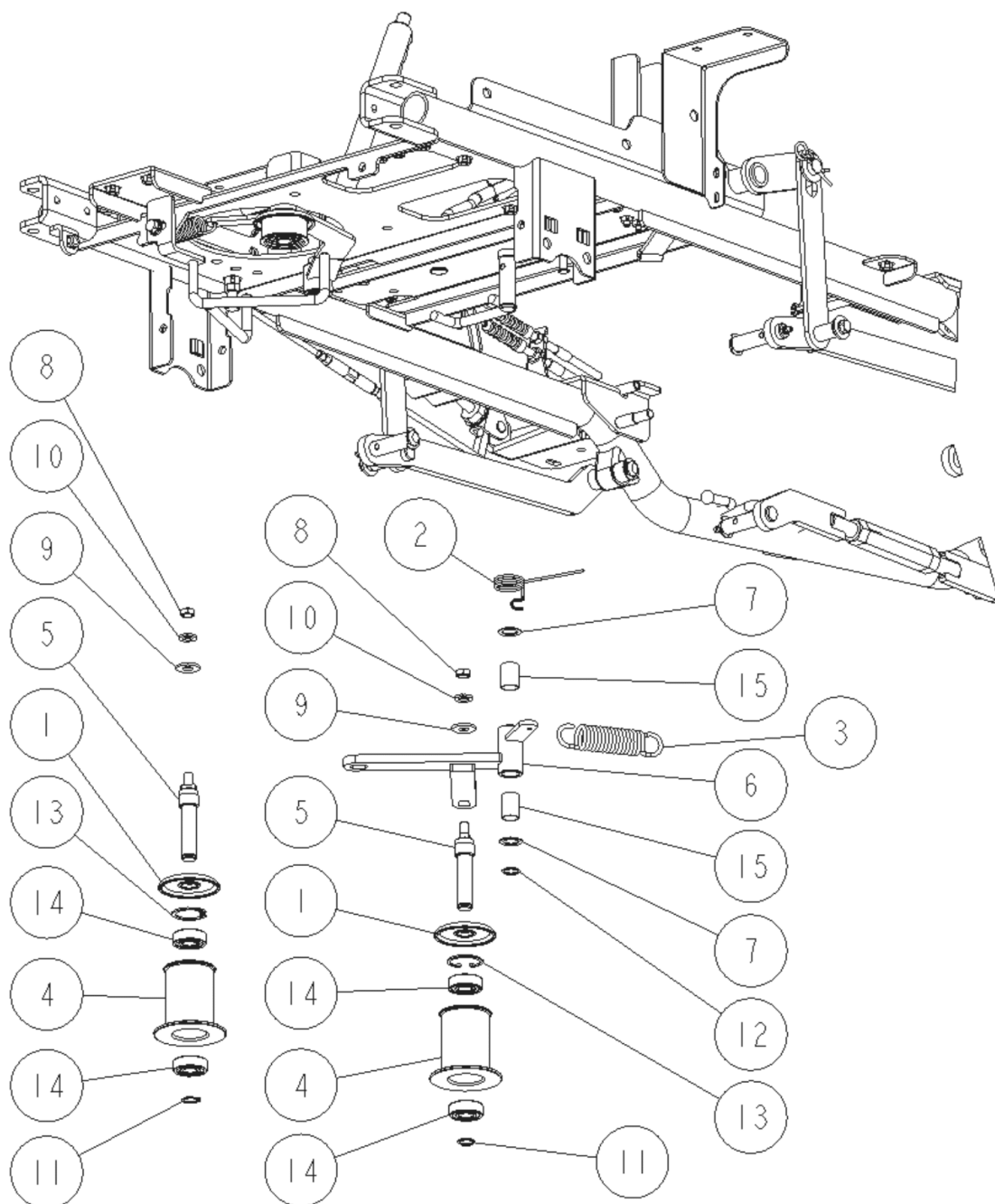
PL02393



11/2018

Number	Part Number	Name	Quantity
1	27936	SPRING	1,000
2	44010	BRAKE LOCKING LEVER	1,000
3	44011	SPRING	1,000
5	44103	BELT COVER	1,000
7	44178	BRAKE ROD	1,000
9	27246	GREASE NIPPEL	1,000
10	-	-	1,000
11	34308	SCREW M8X16	1,000
13	34320	WASHER 12	1,000
14	27566	SNAP RING 12	1,000
15	27751	SNAP PIN 6	1,000
16	27313	SNAP RING E TYPE 12	1,000
17	34343	BUSH 16-15 DU	1,000
18	27612	DU BUSH 16-25	1,000
41	44035	CAOUTCHOUC	1,000
42	27224	PEDAL RUBBER	1,000
61	44174	BRAKE PEDALE	1,000

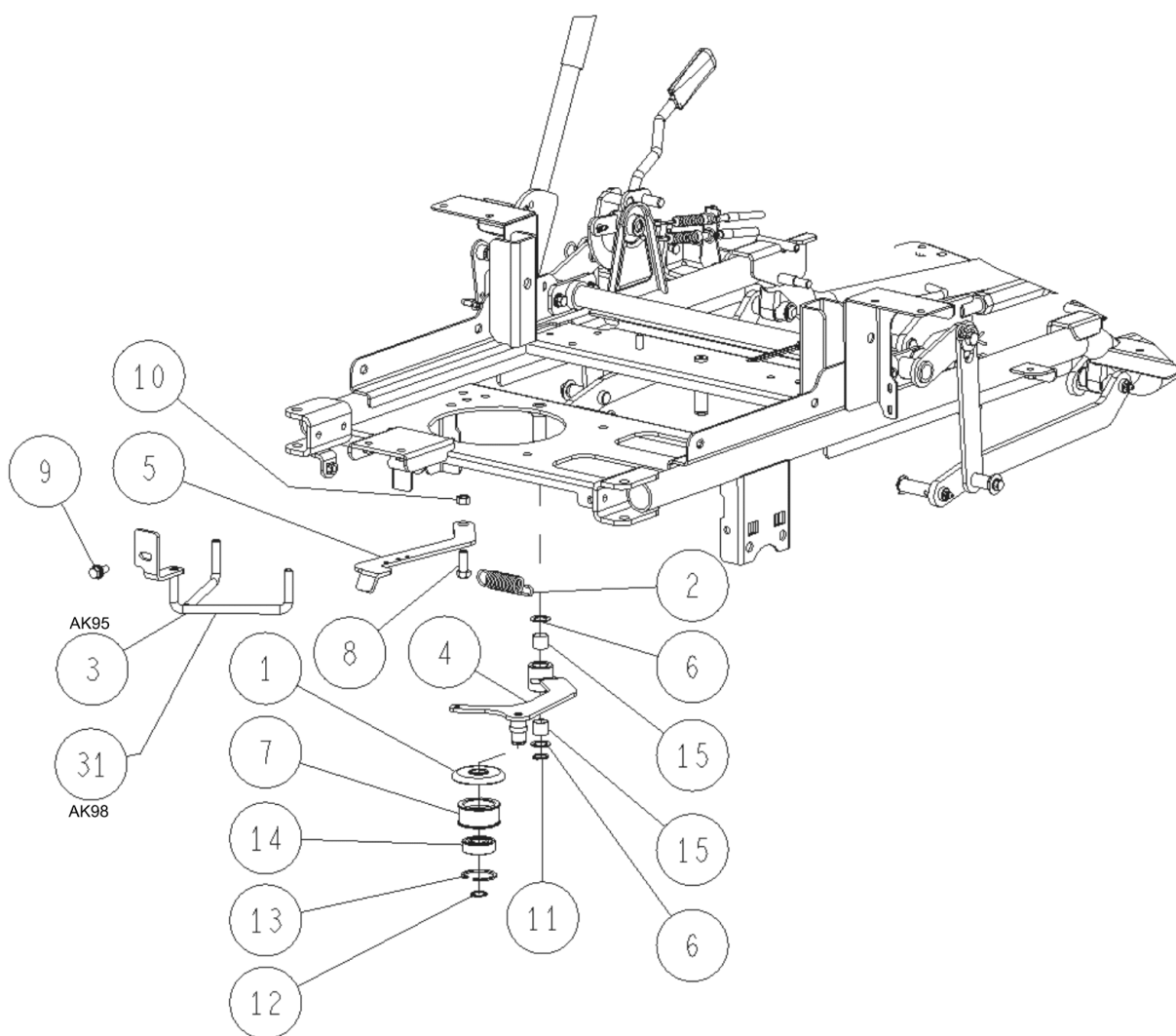
PL02394



08/2017

Number	Part Number	Name	Quantity
1	27226	RUBBER COVER 58	1,000
2	27391	RETURN SPRING	1,000
3	34102	SPRING	1,000
4	34826	PULLEY	1,000
5	34182	TENSIONNER AXLE	1,000
6	44102	TENSION.ARM BLADE	1,000
7	27364	WASHER 16X24X1	1,000
8	34317	NUT 10	1,000
9	34323	WASHER 10	1,000
10	71052	SPRING WASHER,DIN 1	1,000
11	34339	CIRCLIP 15	1,000
12	27365	SNAP RING 16	1,000
13	71039	CIRCLIP,DIN 427 35X	1,000
14	25112	BALL BEARING,6202 S	1,000
15	27612	DU BUSH 16-25	1,000

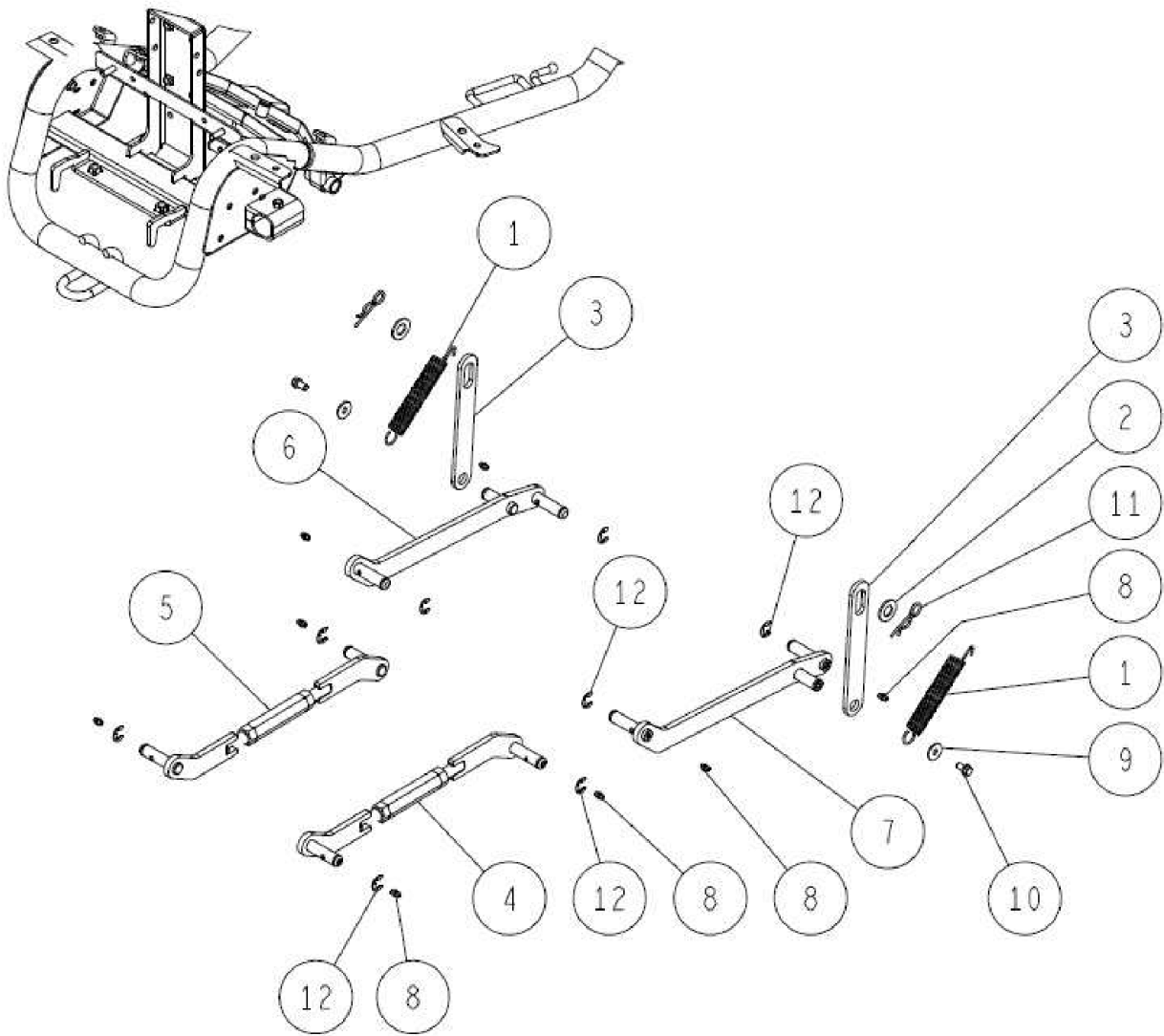
PL02395



08/2017

Number	Part Number	Name	Quantity
1	27226	RUBBER COVER 58	1,000
2	27222	TENS.SPRING	1,000
3	44065	BELT GUIDE	1,000
4	44063	TENSIONER ARM FRONT	1,000
5	44066	TENSIONER ARM	1,000
6	27364	WASHER 16X24X1	1,000
7	27221	TENSION PULLEY	1,000
8	-	-	1,000
9	34309	SCREW M8X20	1,000
11	27365	SNAP RING 16	1,000
12	27376	SNAP RING 17	1,000
13	27374	SNAP RING 40	1,000
14	6058	BEARING 62032RS	1,000
15	34343	BUSH 16-15 DU	1,000
31	44019	BELT GUIDE	1,000

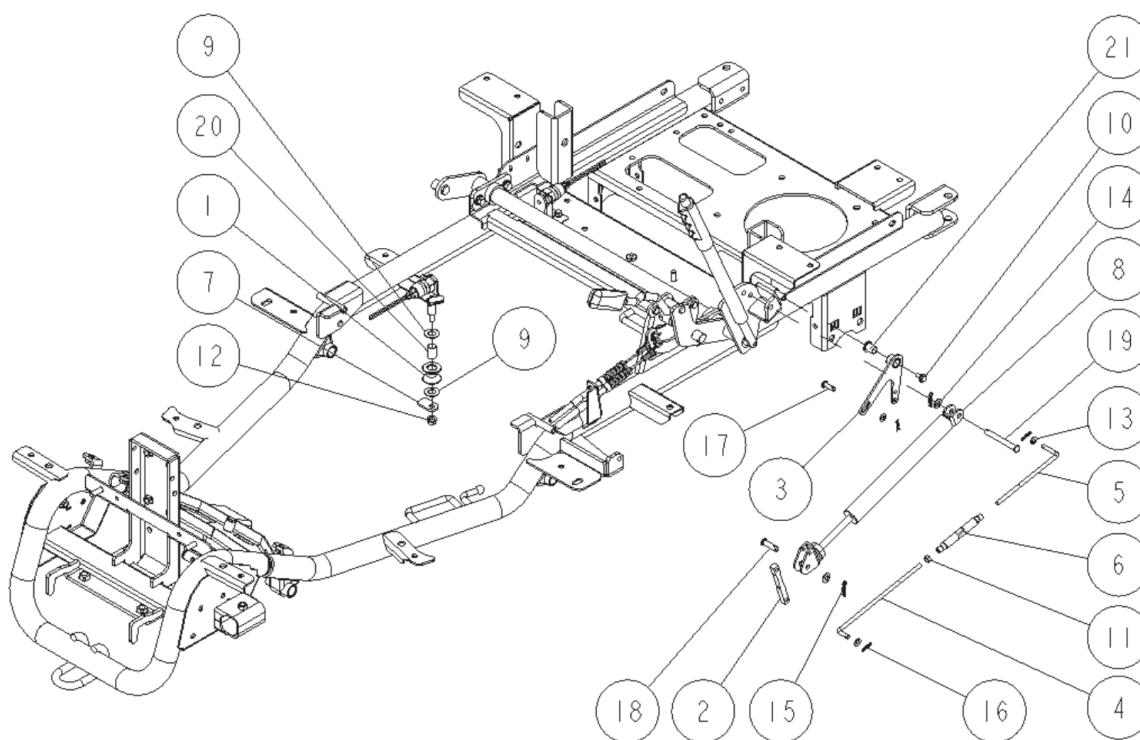
PL02396



11/2018

Number	Part Number	Name	Quantity
1	44211	SPRING	1,000
2	27749	WASHER 16X32X3,2	1,000
3	34123	PLATE	1,000
4	44029	FRONT LEFT ARM CPLT	1,000
5	44031	FRONT RIGHT ARM CPL	1,000
6	44202	ARM REAR RIGHT	1,000
7	44203	ARM REAR LEFT	1,000
8	27246	GREASE NIPPEL	1,000
9	27940	WASHER 8X25X2,3	1,000
10	6169	SCREW HM8X16	1,000
11	34334	PIN	1,000
12	27313	SNAP RING E TYPE 12	1,000

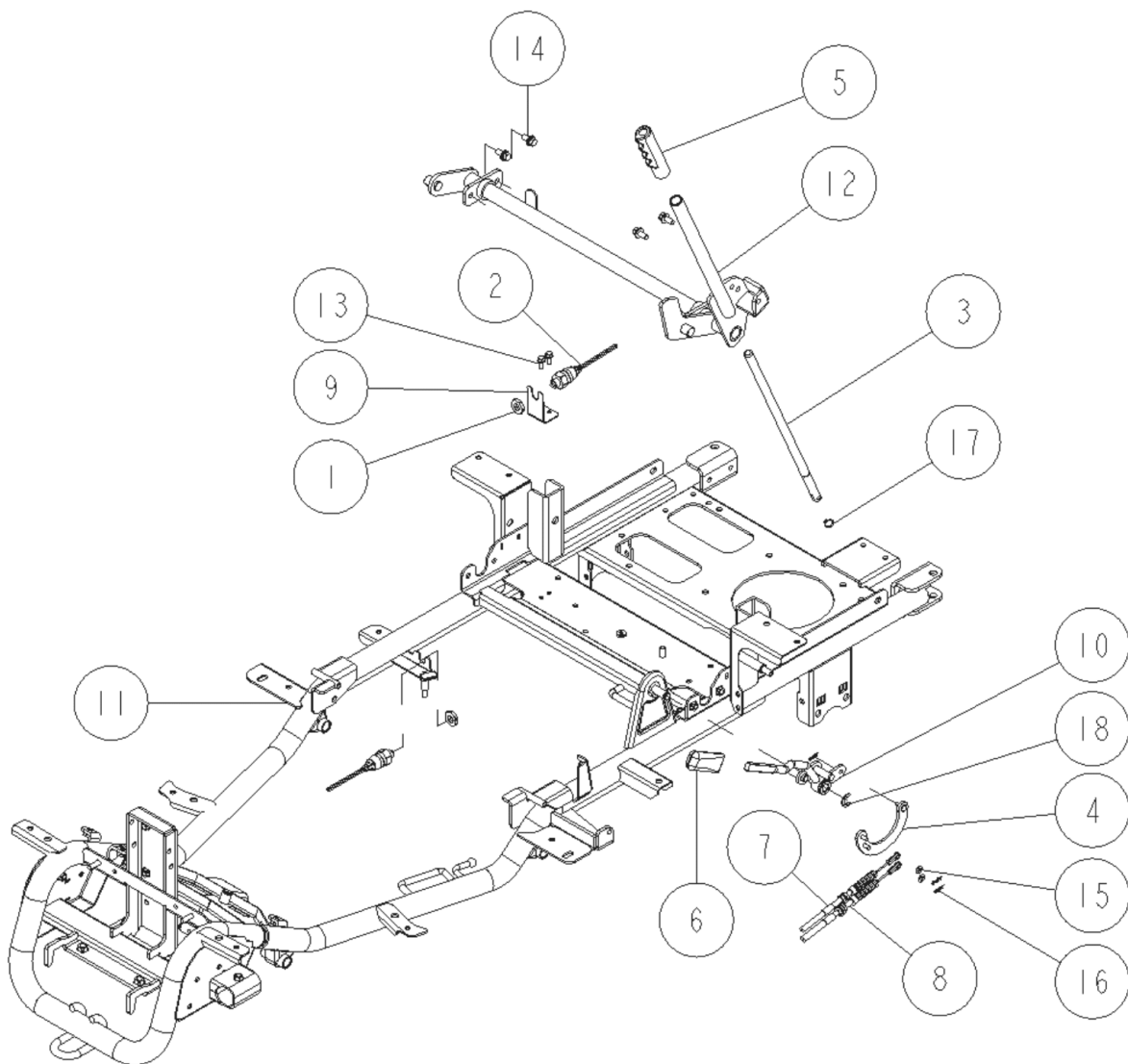
PL02397



08/2017

Number	Part Number	Name	Quantity
1	34289	PULLEY	1,000
2	34124	LEVER	1,000
3	34126	LEVER	1,000
4	34127	LEFT ROD	1,000
5	34128	RIGHT ROD	1,000
6	34129	ADJUST ROD	1,000
7	34164	BRAKE PLATE	1,000
8	34583	GAS JACK	1,000
9	27390	WASHER 12X24X1	1,000
10	27896	SCREW+WASHER HM6X12	1,000
11	-	-	1,000
12	34315	NUT 8	1,000
13	34318	WASHER 6	1,000
14	34319	WASHER 8X18X1,6	1,000
15	27324	SNAP PIN 8	1,000
16	27751	SNAP PIN 6	1,000
17	34335	AXLE 6X20	1,000
18	34336	AXLE 8X28	1,000
19	44219	AXLE 8X69	1,000
20	27520	BUSH MB 122 ODV	1,000
21	27349	DU BUSH 10.15.18F	1,000

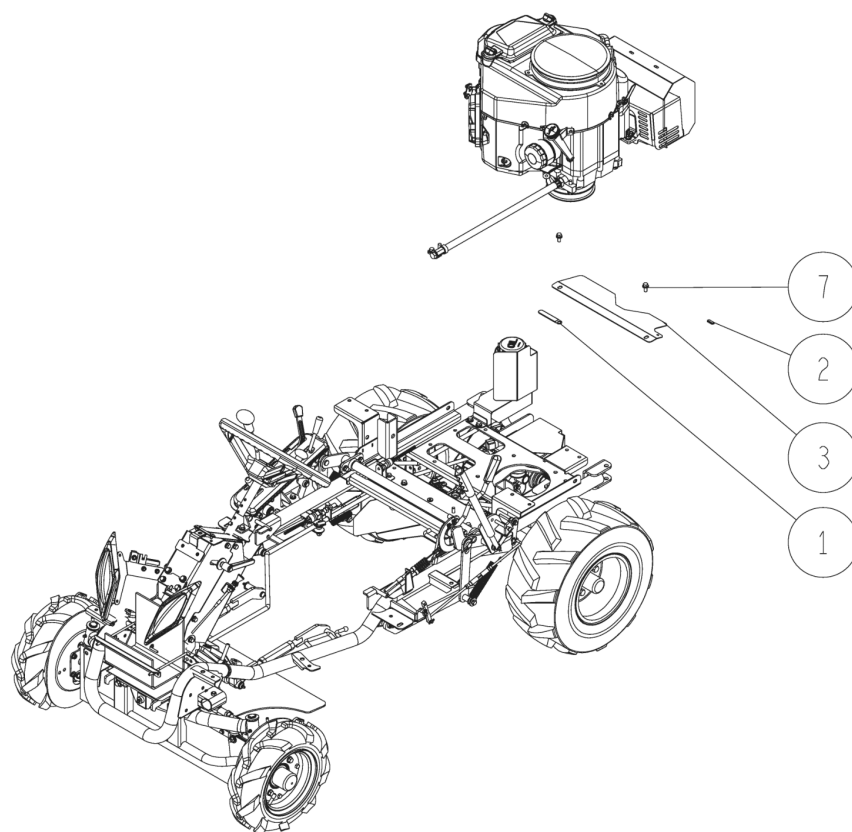
PL02399



08/2017

Number	Part Number	Name	Quantity
1	27856	SWITCH LOCK NUT	1,000
2	27855	SAFETY SWITCH	1,000
3	43975	LEVER AXLE	1,000
4	34141	CABLE PLATE	1,000
5	34219	GRIP	1,000
6	43987	BLADE LEVER HANDLE	1,000
7	44094	BLADE BRAKE CABLE	1,000
8	44093	BLADE CLUTCH CABLE	1,000
9	44053	SECUR.SWITCHBRACKET	1,000
10	44177	CLUTCH LEVER	1,000
11	44186	FRAME AK98 / AK95	1,000
12	44201	UP/DOWN/ADJUS.SHAFT	1,000
13	-	-	1,000
14	34309	SCREW M8X20	1,000
15	34318	WASHER 6	1,000
16	27751	SNAP PIN 6	1,000
17	34338	CIRCLIP 13	1,000
18	27313	SNAP RING E TYPE 12	1,000

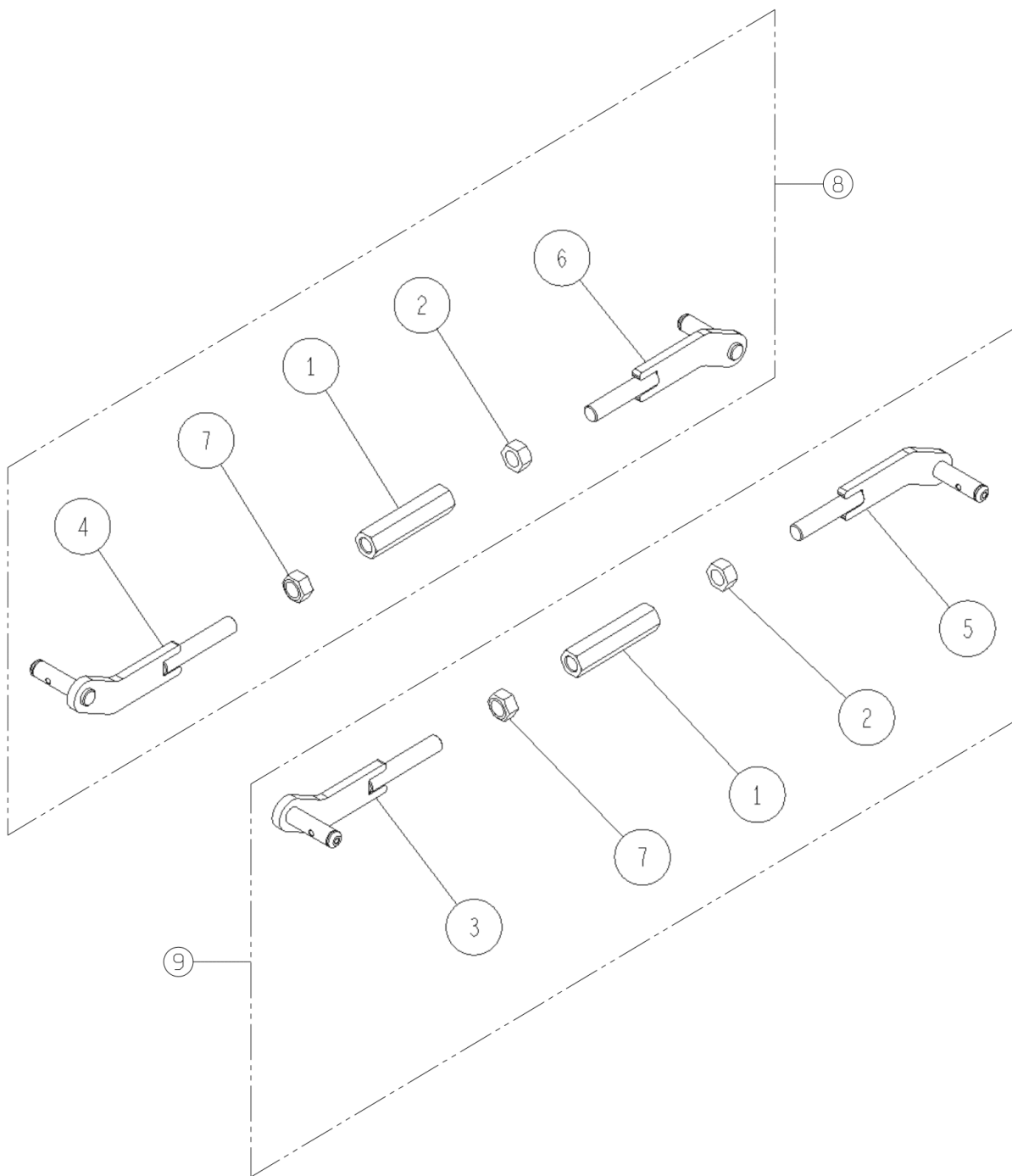
PL02618



10/2019

Number	Part Number	Name	Quantity
1	27314	HARNESS CLIP	1,000
2	43972	RUBBER 20MM	1,000
3	44057	BELT COVER	1,000
7	34309	SCREW M8X20	1,000

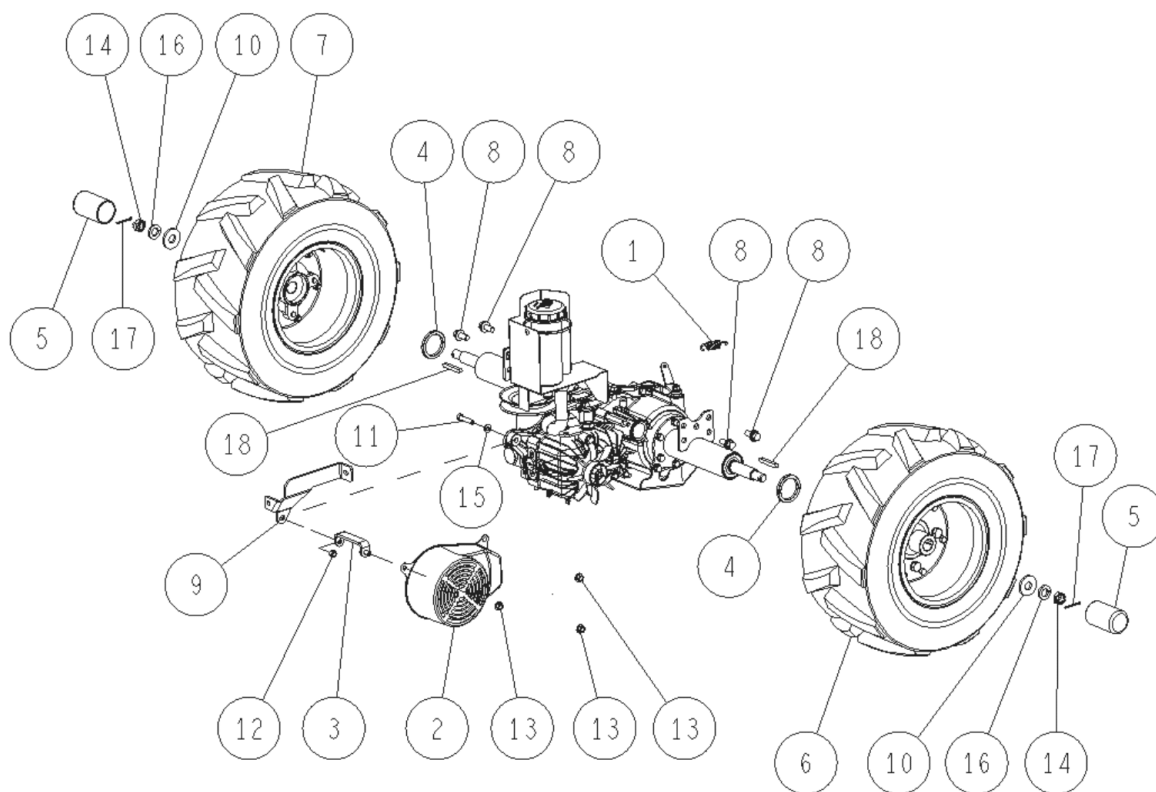
PL02401



08/2017

Number	Part Number	Name	Quantity
1	34593	CUT.HEIGHT ADJUSTM.	1,000
2	34591	NUT M16 LEFT	1,000
3	44025	ARM FRONT LEFT	1,000
4	44027	FRONT RIGHT ARM	1,000
5	44030	REAR LEFT ARM	1,000
6	44032	REAR RIGHT ARM	1,000
7	34598	NUT M16	1,000
8	44031	FRONT RIGHT ARM CPL	1,000
9	44029	FRONT LEFT ARM CPLT	1,000

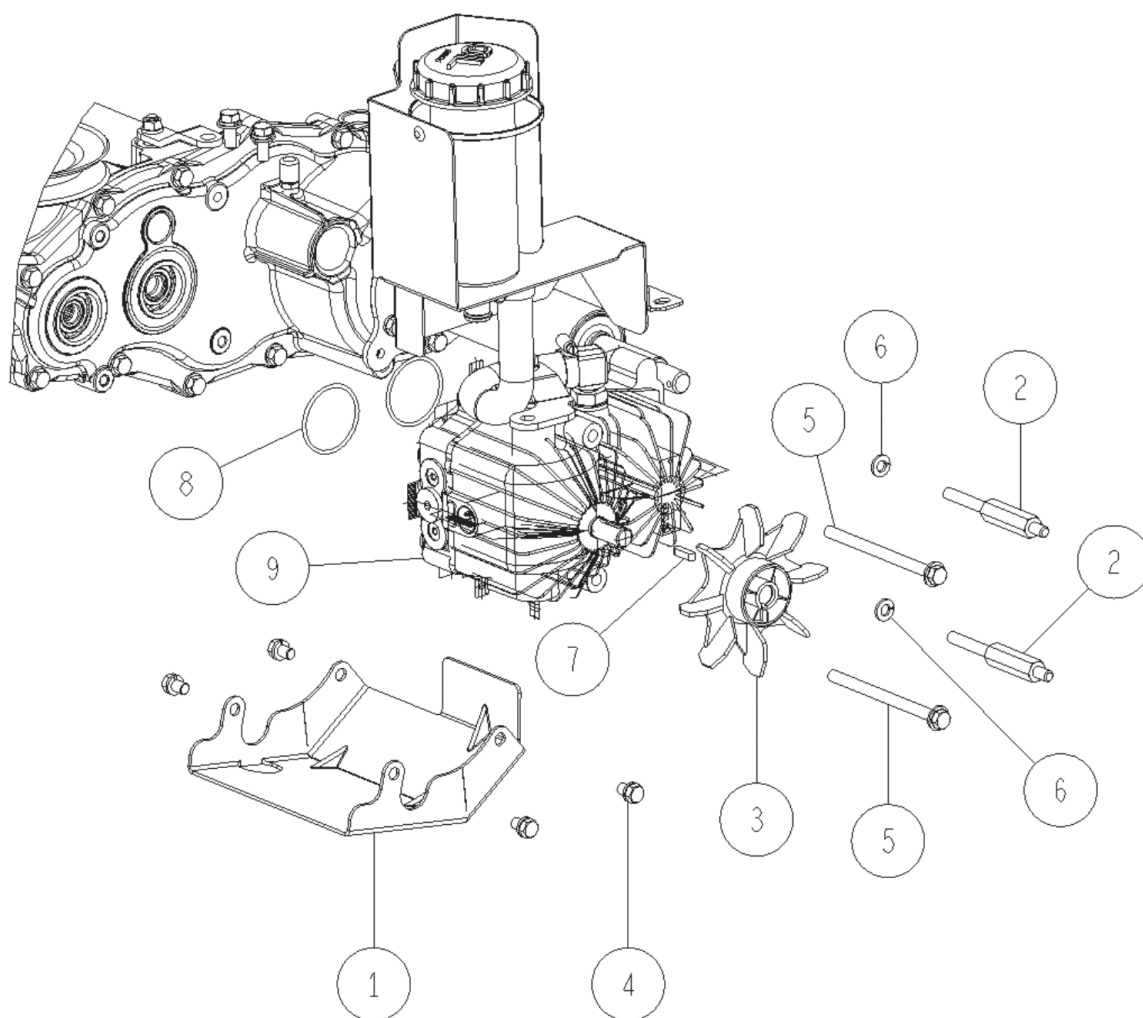
PL02402



08/2017

Number	Part Number	Name	Quantity
1	27307	SPRING	1,000
2	27844	FAN COVER	1,000
3	27843	FAN COVER SETTING	1,000
4	27712	WHEEL BOS DUST SEAL	1,000
5	34837	WHEEL CAP 75MM	1,000
6	34264	R. REAR WHEEL AV98	1,000
7	34265	LEFT REAR WHEELAV98	1,000
8	34269	SCREW M10X25	1,000
9	44043	REAR DECK FIXING	1,000
10	27437	WASHER 16X40X4,5	1,000
11	-	-	1,000
13	27501	NUT FLANGE M8	1,000
14	27435	NUT M16	1,000
15	71343	SPRING WASHER A8	1,000
16	27436	SPRING WASHER	1,000
17	34332	PIN 3.5X35	1,000
18	27556	KEY 7X50	1,000

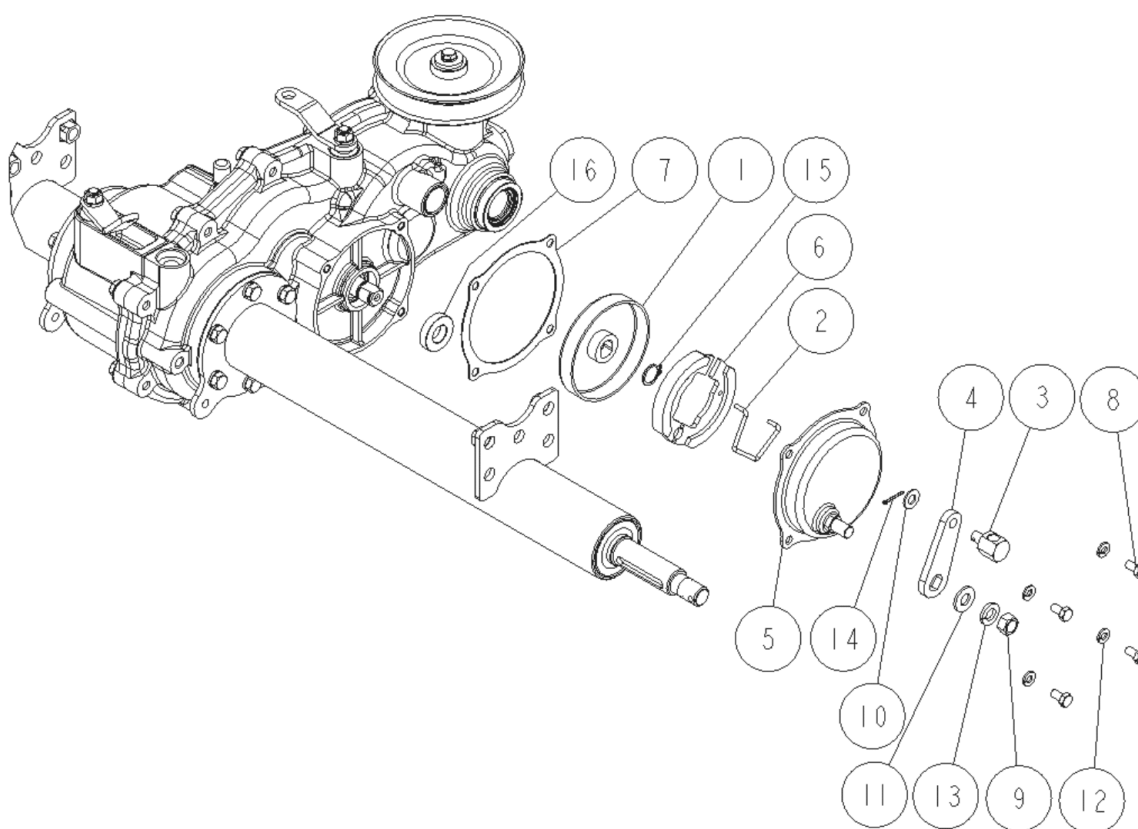
PL02403



08/2017

Number	Part Number	Name	Quantity
1	27845	MISSION GUARD	1,000
2	27839	DOUBLE SPRING BOLT	1,000
3	27841	FAN	1,000
4	-	-	1,000
5	27840	FLANGE MINI BOLT	1,000
6	71343	SPRING WASHER A8	1,000
7	27690	KEY 5X20	1,000
8	27838	O-RING G45	1,000
9	27790	HST UNIT	1,000

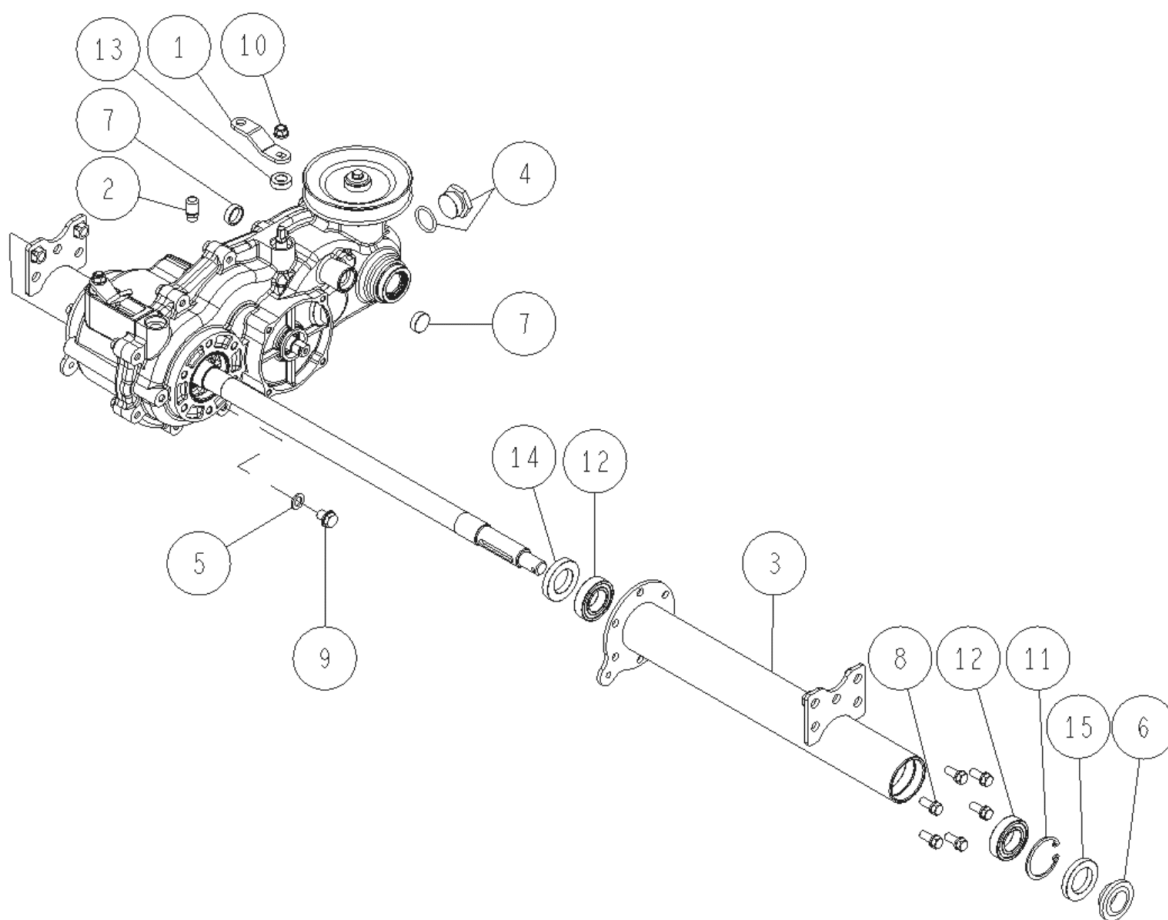
PL02404



08/2017

Number	Part Number	Name	Quantity
1	27453	BRAKE DRUM (PA-7)	1,000
2	34285	SPRING	1,000
3	27820	BRAKE JOINT	1,000
4	-	-	1,000
6	27455	BRAKE SHOE SET	1,000
7	43991	GASKET	1,000
8	27457	HEXA.SCREW M6X12 8T	1,000
9	9017	NUT HM10	1,000
10	34319	WASHER 8X18X1,6	1,000
11	34321	WASHER 10X21X2	1,000
12	71049	SPRING WASHER,DIN 1	1,000
13	71052	SPRING WASHER,DIN 1	1,000
14	27337	SPLINT PIN 2X15	1,000
15	34339	CIRCLIP 15	1,000
16	27818	OIL SEAL UE 15X30X7	1,000

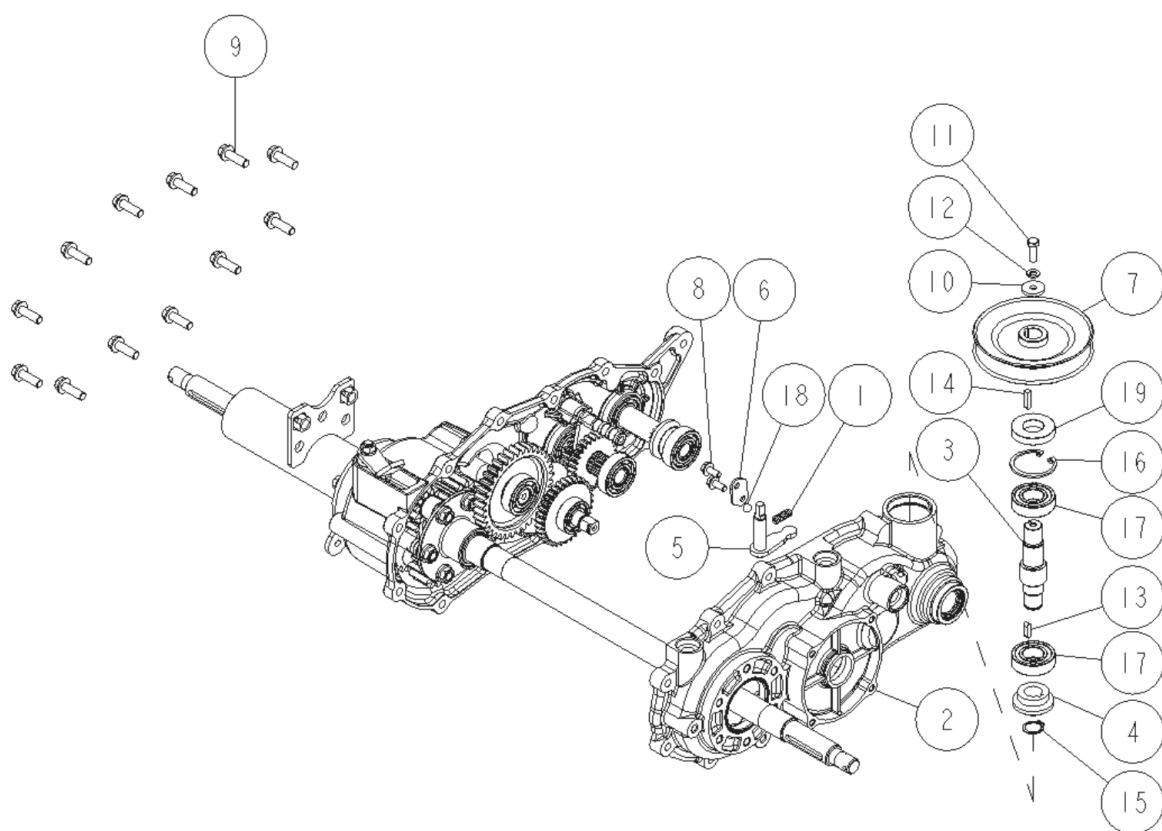
PL02405



08/2017

Number	Part Number	Name	Quantity
1	27807	SUB CHANGE ARM	1,000
2	27829	AIR BLEEZER	1,000
3	34117	LEFT SHAFT CASE	1,000
4	34670	PLUG + GASKET	1,000
5	27535	WASHER 10,5X18X1,6	1,000
6	27441	OIL SEAL AP 30X47X7	1,000
7	27831	BLACK CAP 22	1,000
8	27446	SCREW 8X20 + WASHER	1,000
9	27605	SCREW M10-12 (125)	1,000
10	27501	NUT FLANGE M8	1,000
11	27442	SNAP RING 47	1,000
12	27653	BEARING 6005	1,000
13	27806	OIL SEAL 12X22X7	1,000
14	34345	GASKET 28.47.8	1,000
15	34346	GASKET 30.47.7	1,000

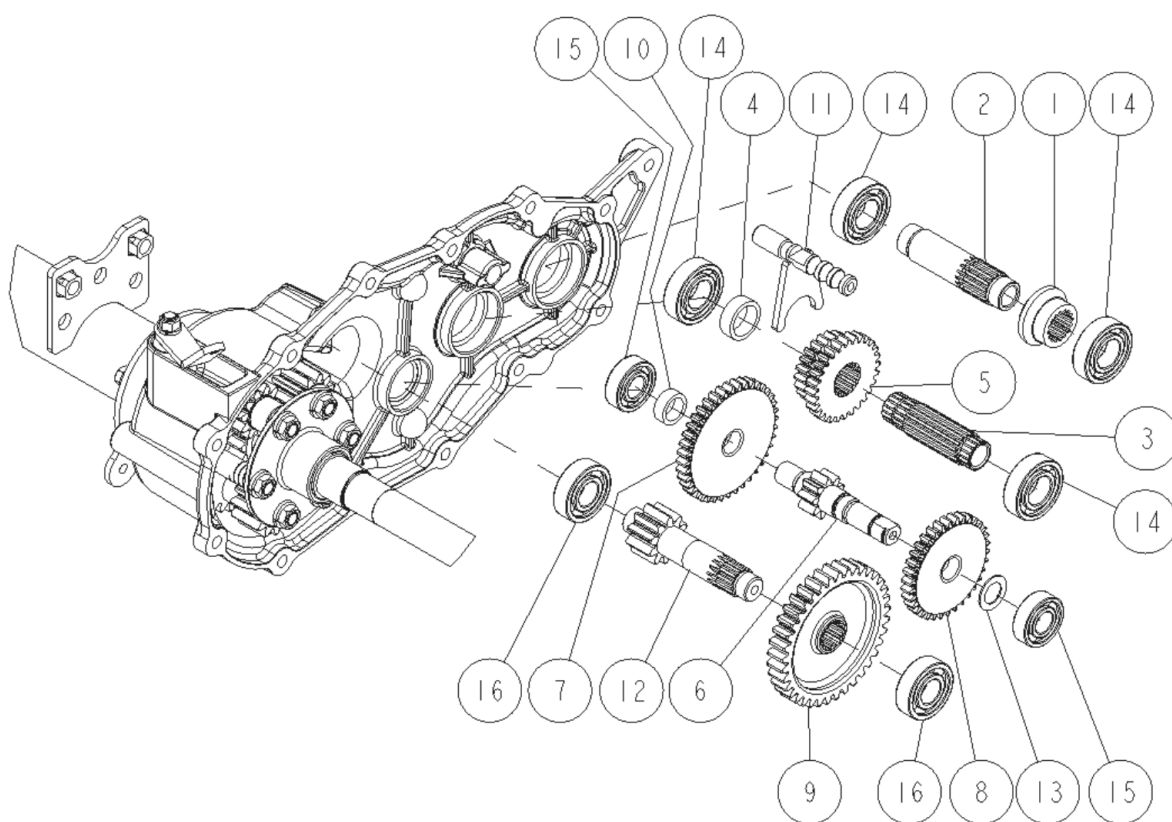
PL02406



08/2017

Number	Part Number	Name	Quantity
1	27803	SPRING 1,4	1,000
2	27791	TRANSMIS.CASE LEFT	1,000
3	27793	A AXLE	1,000
4	27795	20T SPIR.MITA GEAR	1,000
5	27800	SWING ARM	1,000
6	27804	SHIFT SPRING HOLDER	1,000
7	34586	PULLEY	1,000
8	27805	TAB TIGHT M6X14	1,000
9	27830	HEX.TAP TIGHT M8X25	1,000
10	27220	WASHER 6,5X22X3,2	1,000
11	-	-	1,000
12	71049	SPRING WASHER,DIN 1	1,000
13	27794	KEY 5X16	1,000
14	27796	KEY 5X20	1,000
15	27376	SNAP RING 17	1,000
16	27797	SNAP RING 42	1,000
17	34536	BEARING	1,000
18	27802	STEEL BALL D.8	1,000
19	27798	OIL SEAL 20X42X8	1,000

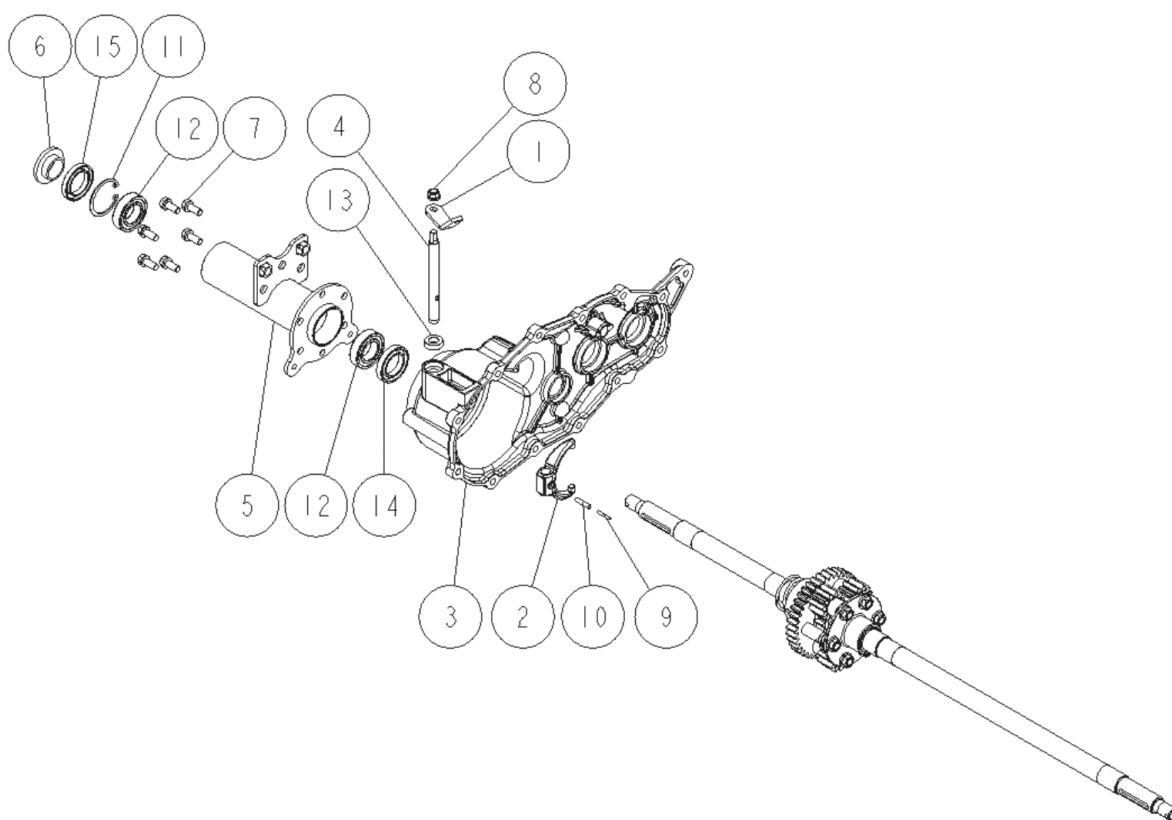
PL02407



08/2017

Number	Part Number	Name	Quantity
1	27809	20T SPIRAL MIT GEAR	1,000
2	27808	B AXLE	1,000
3	27810	C AXLE	1,000
4	27812	C AXLE COLLAR 9	1,000
5	27811	SHIFT GEAR 22-28	1,000
6	27815	BRAKE SHAFT	1,000
7	27814	BRAKE SHAFT 40TGEAR	1,000
8	27816	BRAKE SHAFT 34TGEAR	1,000
9	27821	D AXLE 37T GEAR	1,000
10	27817	BRAKE SHAFT COLLAR8	1,000
11	27801	SHIFT FORK	1,000
12	34116	AXLE (D)	1,000
13	27813	WASHER 15X24X1	1,000
14	27651	BEARING 6004	1,000
15	40465	BEARING 6202	1,000
16	27649	BEARING 6203	1,000

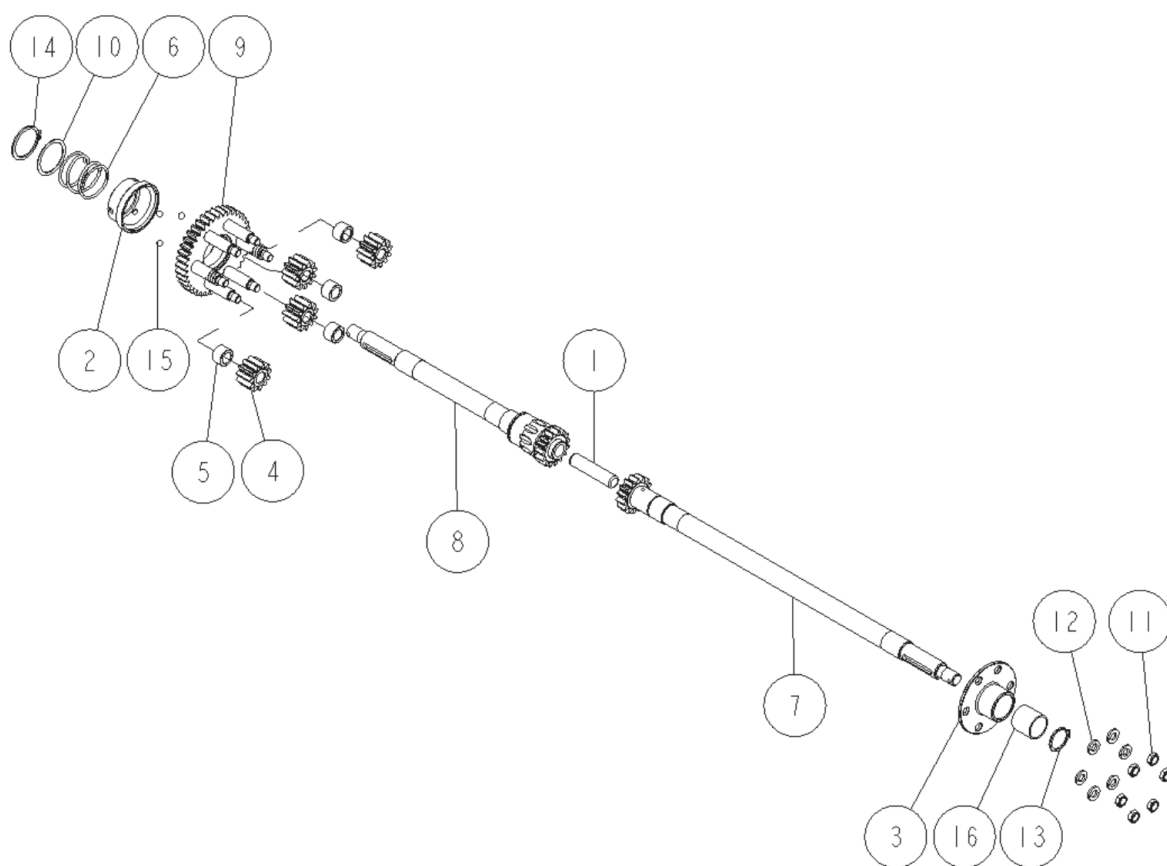
PL02408



08/2017

Number	Part Number	Name	Quantity
1	27500	DIFFERENT.LOCK ARM	1,000
2	27464	FORK	1,000
3	27792	TRANSMIS.CASE RIGHT	1,000
4	27822	DIF.LOCK FORK SHAFT	1,000
5	34118	RIGHT SHAFT CASE	1,000
6	27441	OIL SEAL AP 30X47X7	1,000
7	27446	SCREW 8X20 + WASHER	1,000
8	34315	NUT 8	1,000
9	27824	SPRING PIN 3X20	1,000
10	27465	SPRING PIN 5X22	1,000
11	27442	SNAP RING 47	1,000
12	27653	BEARING 6005	1,000
13	27806	OIL SEAL 12X22X7	1,000
14	34345	GASKET 28.47.8	1,000
15	34346	GASKET 30.47.7	1,000

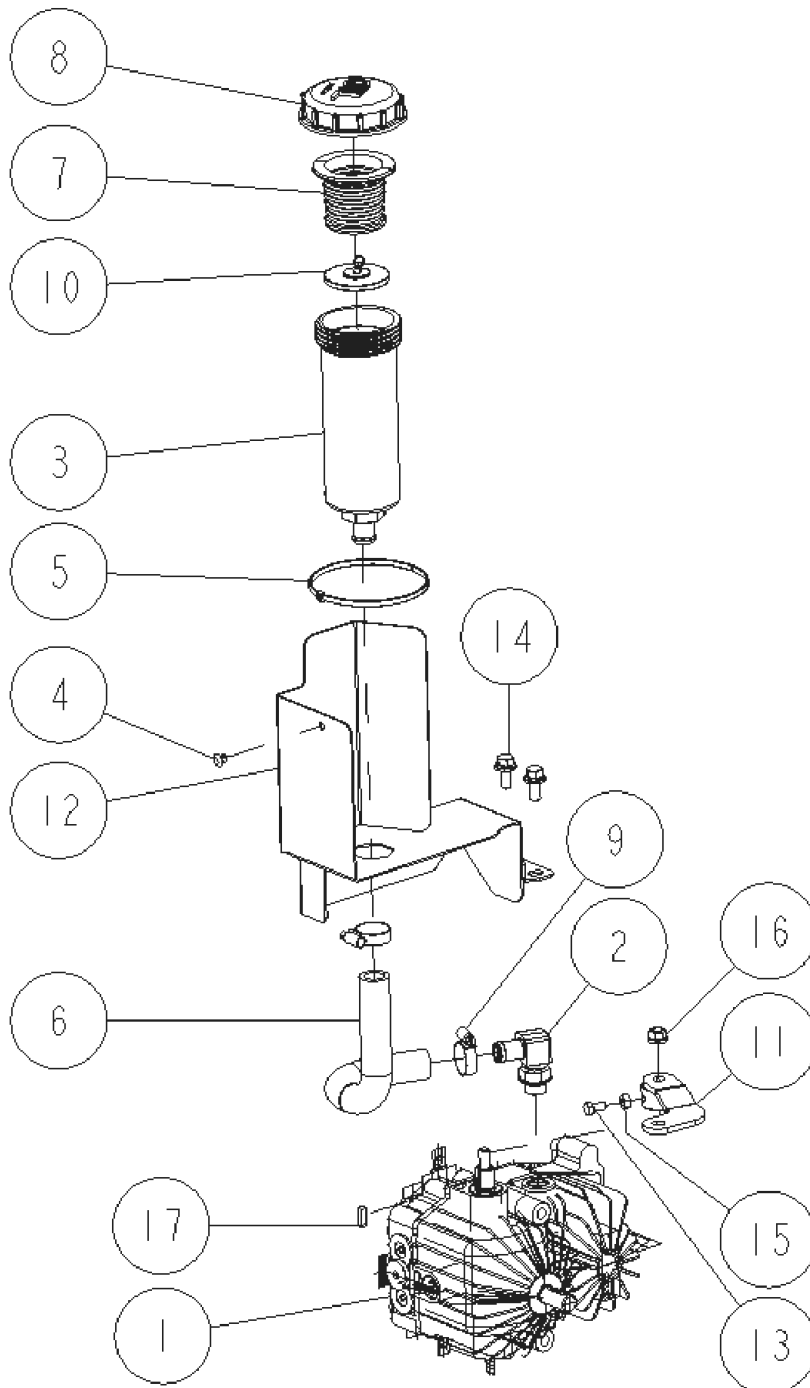
PL02409



08/2017

Number	Part Number	Name	Quantity
1	27490	AXLE PIN	1,000
2	27485	DIFF.LOCK CONE	1,000
3	27492	DIFF.LOCK PLATE	1,000
4	27495	DIFF.LOCK GEAR 11T	1,000
5	27496	AXLE COLLAR DIFF.	1,000
6	27486	DIFF.LOCK SPRING	1,000
7	27686	AXLE LEFT	1,000
8	27718	AXLE RIGHT	1,000
9	34115	AXLE GEAR	1,000
10	27487	WASHER 40X48X1,0	1,000
11	-	-	1,000
12	71052	SPRING WASHER,DIN 1	1,000
13	27494	SNAP RING 28	1,000
14	27638	OUT.CIRCLIP 40	1,000
15	27481	STEEL BALL DIA.7,5	1,000
16	27493	BUSH 28.30	1,000

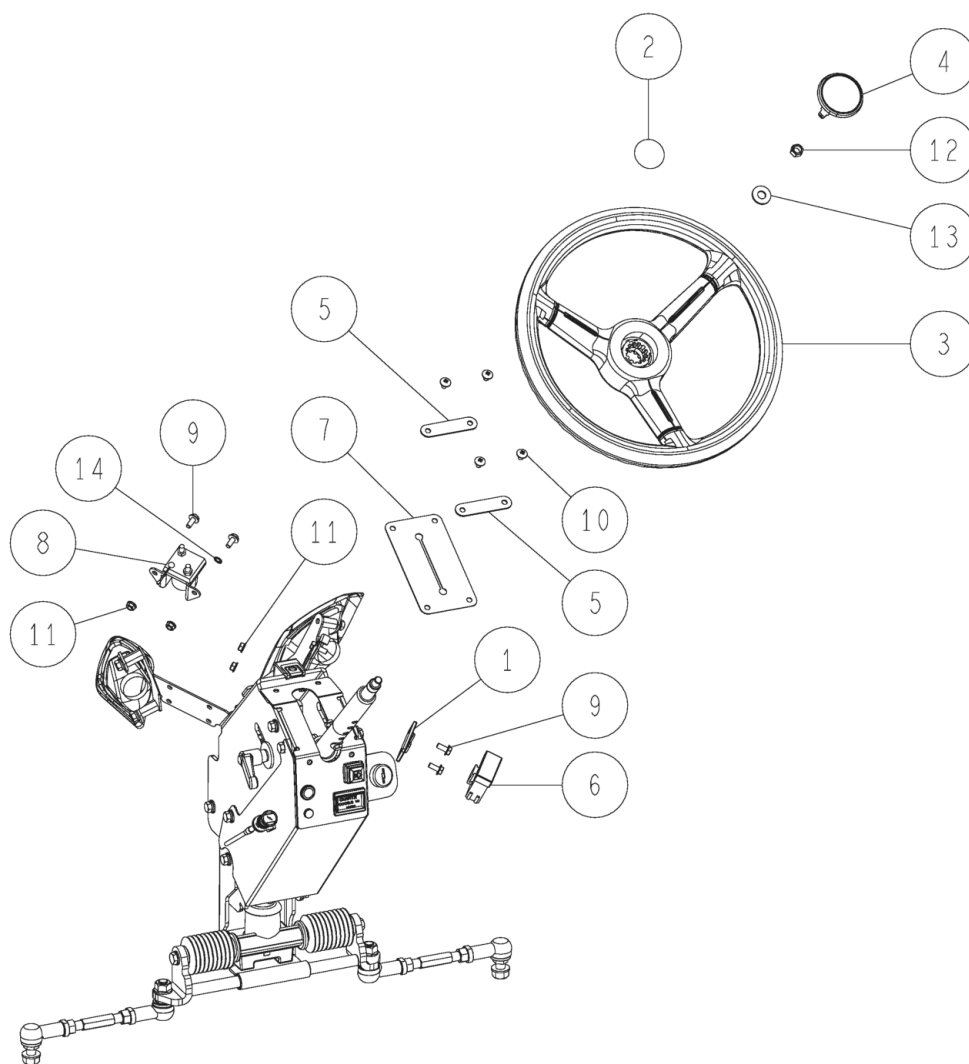
PL02410



08/2017

Number	Part Number	Name	Quantity
1	27790	HST UNIT	1,000
2	27832	PORT JOINT	1,000
3	43957	COMPENSATION TANK	1,000
4	27969	CLIP	1,000
5	27970	CLAMP	1,000
6	34238	HOSE	1,000
7	43986	TANK FILTER	1,000
8	34867	TANK CAP	1,000
9	27965	HOSE BAND 24	1,000
10	44087	ABSORBER	1,000
11	44168	LEVEL GUIDE	1,000
12	44169	COMPENSATION TANK	1,000
13	27457	HEXA.SCREW M6X12 8T	1,000
14	34309	SCREW M8X20	1,000
15	27572	NUT M6	1,000
16	34315	NUT 8	1,000
17	27681	KEY 5X16	1,000

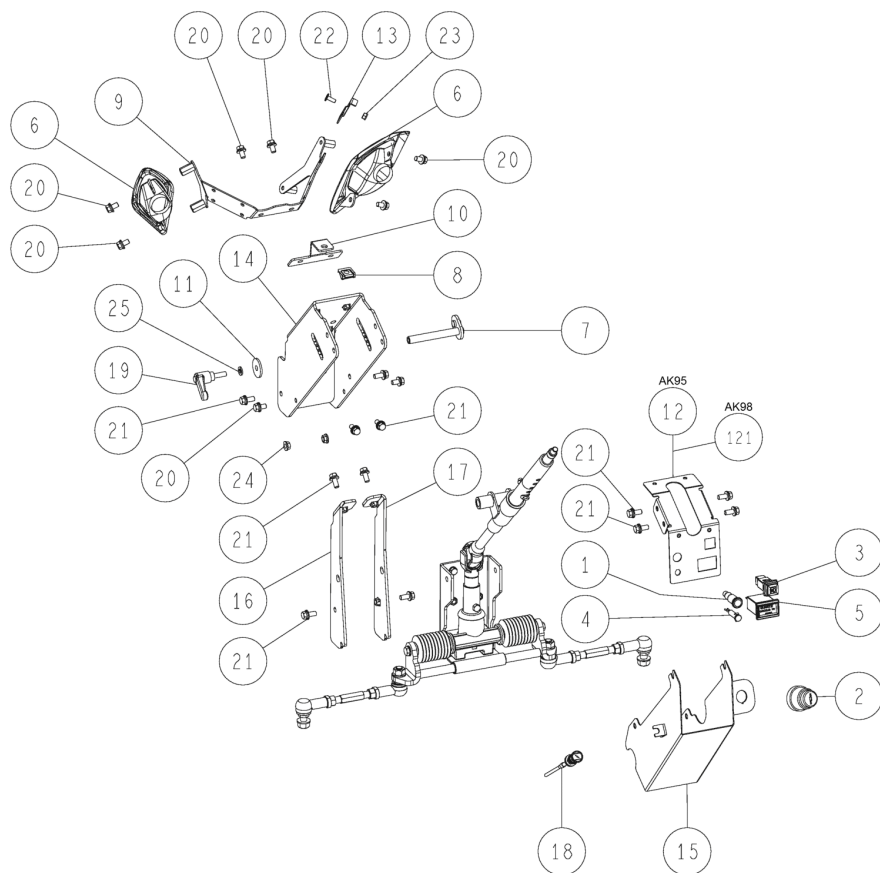
PL02619



10/2019

Number	Part Number	Name	Quantity
1	27992	FUSE BRACKET	1,000
2	27637	STEERING WHEEL	1,000
3	27430	STEERING WHEEL	1,000
4	34661	STEERING CAP	1,000
5	43996	STEAL PLATE	1,000
6	44039	CAP	1,000
7	44049	PROTECTION	1,000
8	27241	MAGNETIC SWITCH	1,000
9	34302	SCREW M6X15	1,000
10	34303	SCREW M6X10	1,000
11	34313	NUT 6	1,000
12	-	-	1,000
13	34323	WASHER 10	1,000
14	34328	TOOTHED WASHER 6	1,000

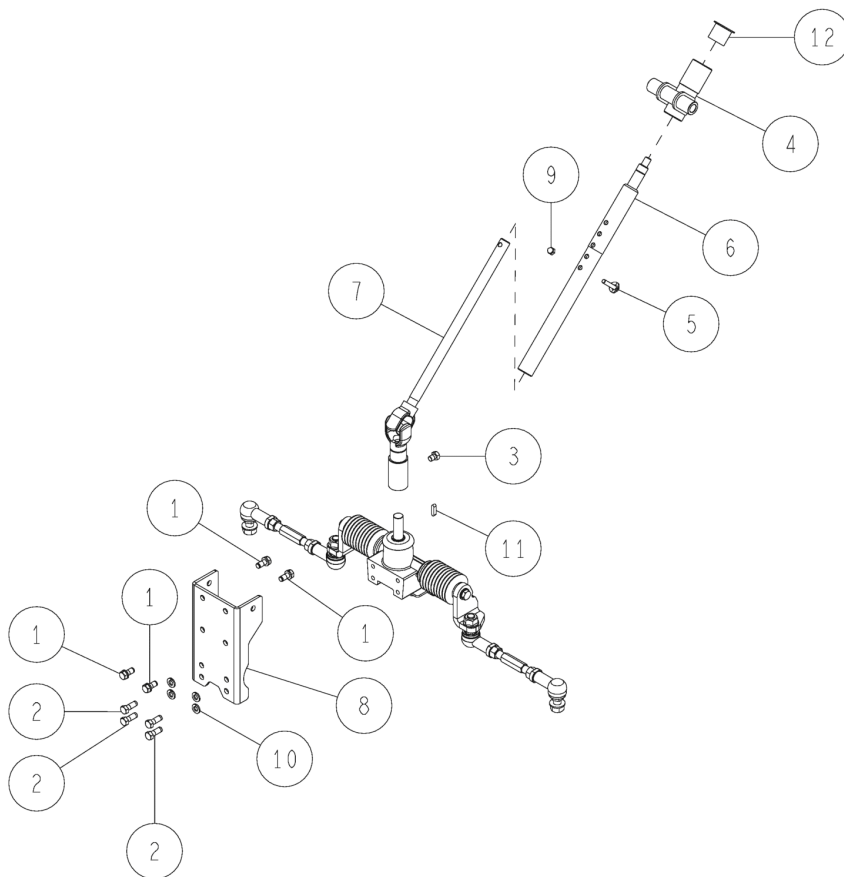
PL02620



10/2019

Number	Part Number	Name	Quantity
1	27991	INDICATOR	1,000
2	34103	KEY SWITCH+2 KEYS	1,000
3	34220	SWITCH	1,000
4	34221	ENGINE OIL INDICAT.	1,000
5	34245	HOUR COUNTER	1,000
6	44281	FRONT LIGHT	1,000
7	44048	AXLE	1,000
8	44083	CLIP DIA.6	1,000
9	44285	BRACKET	1,000
10	44282	HOOD FIXING	1,000
11	44175	WASHER 9X35X3.2	1,000
12	44114	INDICATOR BRACKET	1,000
13	44185	BRACKET	1,000
14	44231	LEVER GUIDE	1,000
15	44296	KEY SWITCH BRACKET	1,000
16	44297	REINFORCING LEFT	1,000
17	44298	REINFORCING RIGHT	1,000
18	44205	STARTER CABLE	1,000
19	44207	LEVER	1,000
20	34308	SCREW M8X16	1,000
21	34309	SCREW M8X20	1,000
22	34312	SCREW M6X16	1,000
23	34314	NUT 6	1,000
24	27501	NUT FLANGE M8	1,000
25	71343	SPRING WASHER A8	1,000
121	44179	BRACKET	1,000

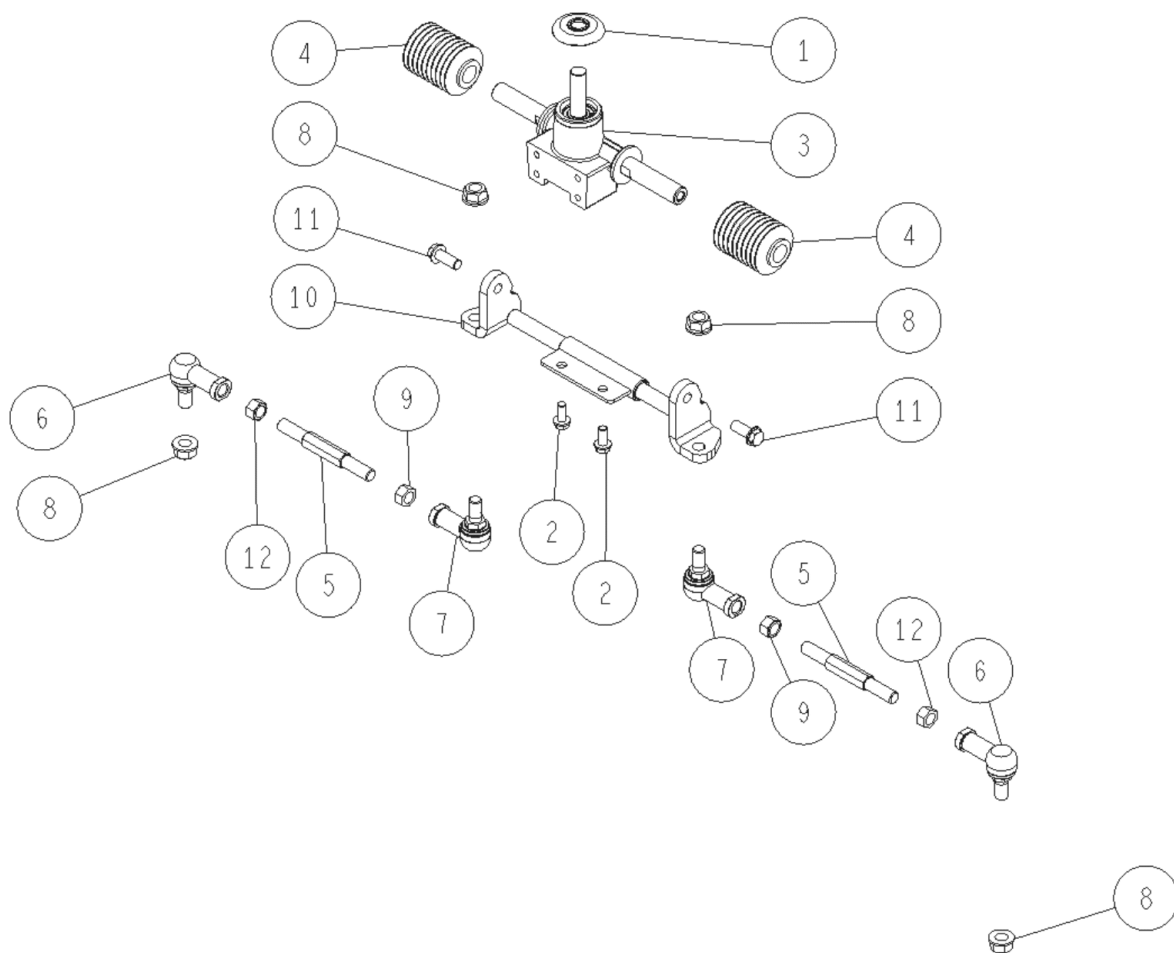
PL02621



10/2019

Number	Part Number	Name	Quantity
1	-	-	1,000
4	44181	GUIDE	1,000
5	44184	AXLE	1,000
6	44299	STEER.COLUM SHAFT	1,000
7	44300	STEERING COLUMN	1,000
8	44301	STEERING BRACKET	1,000
9	27370	NUT FLANGE M6	1,000
10	71343	SPRING WASHER A8	1,000
11	27690	KEY 5X20	1,000
12	44221	RING 25-25-36F	1,000

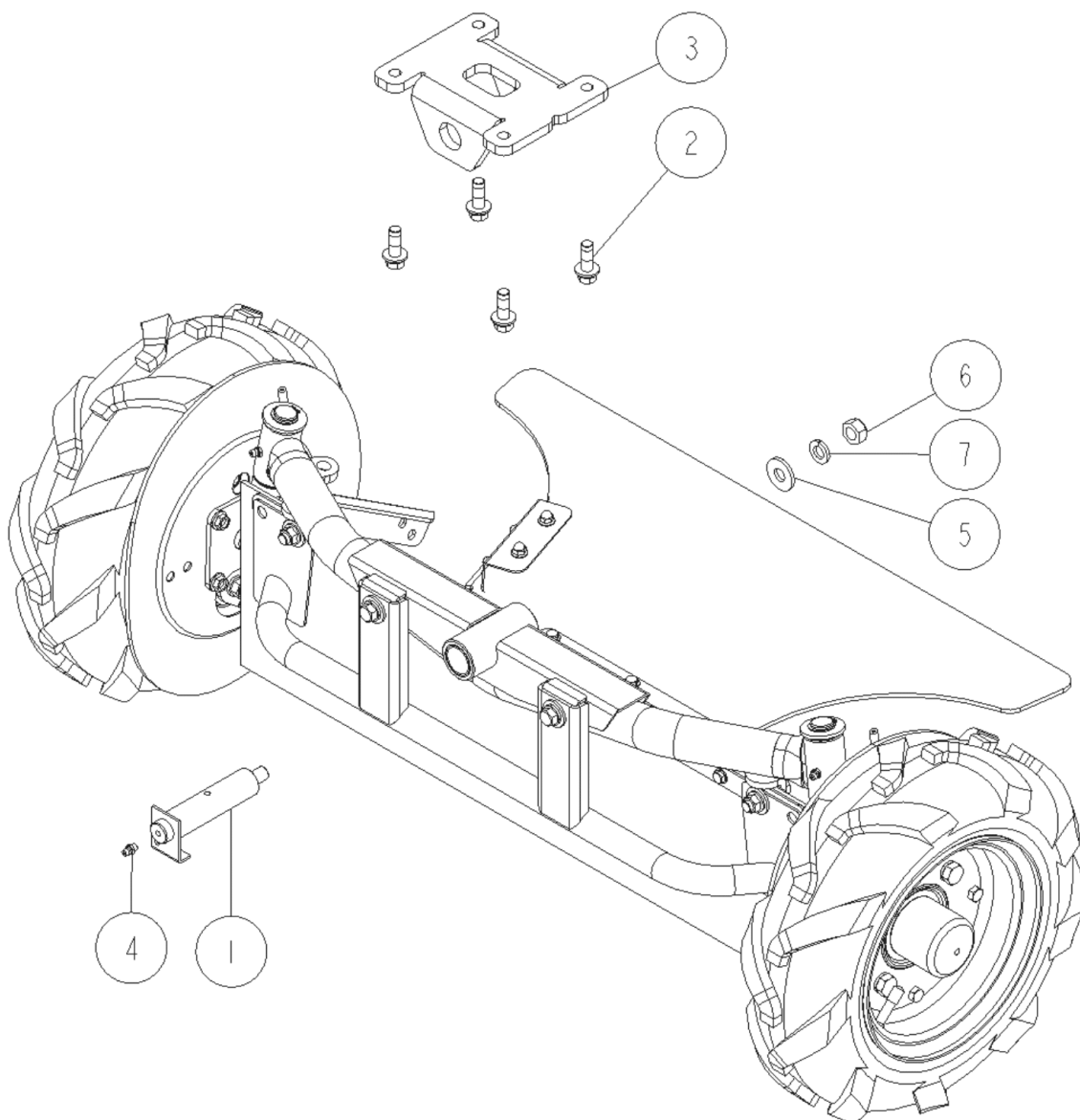
PL02414



08/2017

Number	Part Number	Name	Quantity
1	27423	BEARING COVER	1,000
2	34284	SCREW M8X18	1,000
3	27611	STEER.GEARBOX ASSY	1,000
4	27230	STEERING BOOTS	1,000
5	34167	ADJUST ROD	1,000
6	34230	RIGH.STEERING ELBOW	1,000
7	34231	LEFT STEERING ELBOW	1,000
8	34232	NUT M12 P1.25	1,000
9	34247	NUT M12 LEFT	1,000
10	44183	BRACKET	1,000
11	34311	SCREW M10X25	1,000
12	34316	NUT M12	1,000

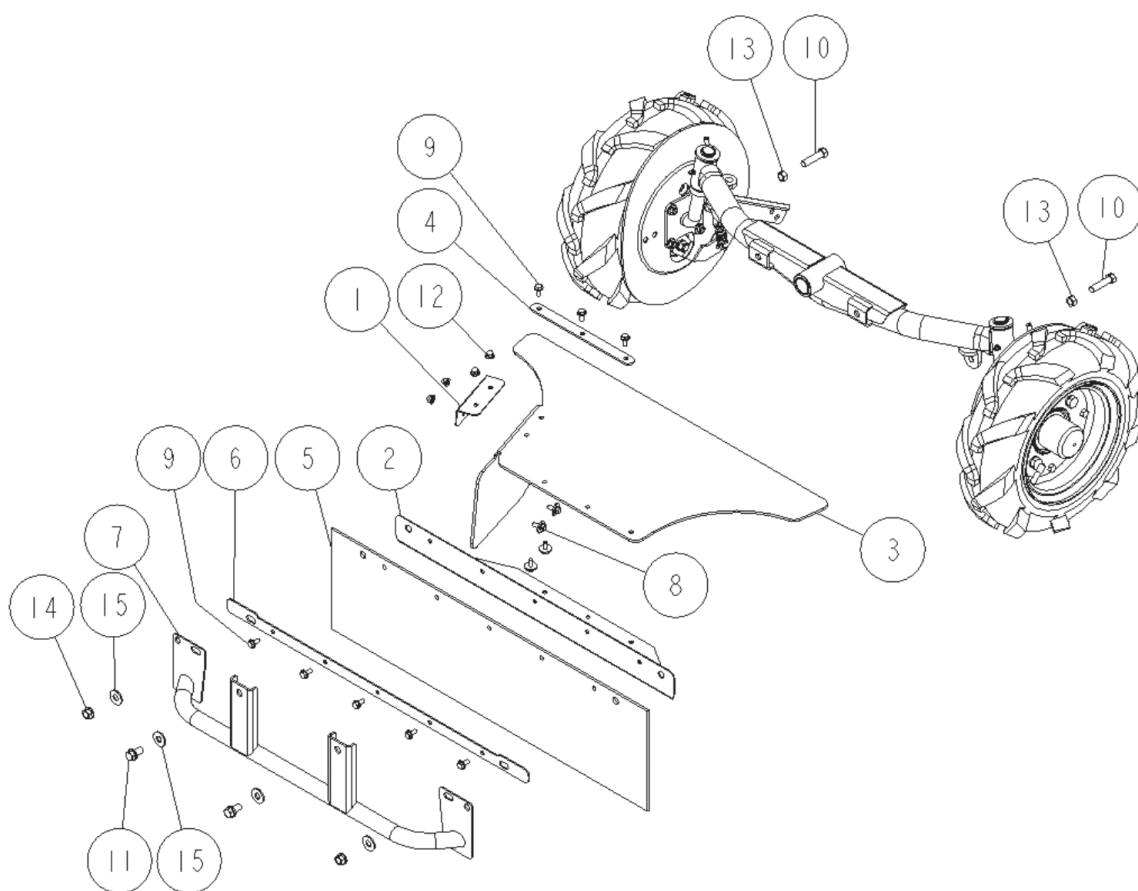
PL02415



08/2017

Number	Part Number	Name	Quantity
1	27661	CENTER PIN	1,000
2	-	-	1,000
3	44058	FRONT AXLE BRACKET	1,000
4	27246	GREASE NIPPEL	1,000
7	27353	SPRING WASHER A12	1,000

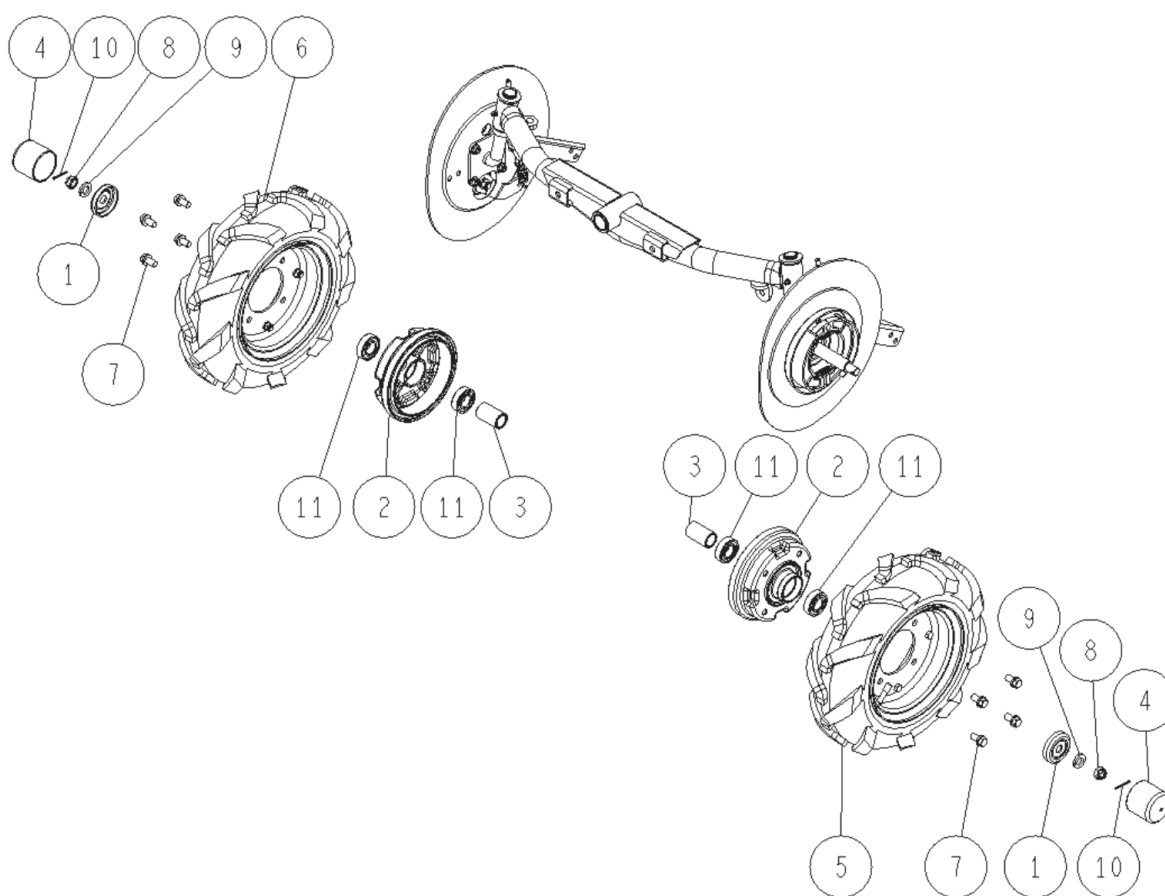
PL02416



08/2017

Number	Part Number	Name	Quantity
1	34211	UP.R.RUB FLAP.BRACK	1,000
2	44012	FIXING PLATE	1,000
3	44013	UPPER FLAPPER	1,000
4	44014	FIXING PLATE	1,000
5	44015	FRONT FLAPPER	1,000
6	44106	FRONT GUARD	1,000
7	44107	FOOT PROTECTION	1,000
8	34298	SCREW M6X16	1,000
9	34302	SCREW M6X15	1,000
10	-	-	1,000
12	27370	NUT FLANGE M6	1,000
13	27231	COUNTER NUT M10X150	1,000
14	34317	NUT 10	1,000
15	34323	WASHER 10	1,000

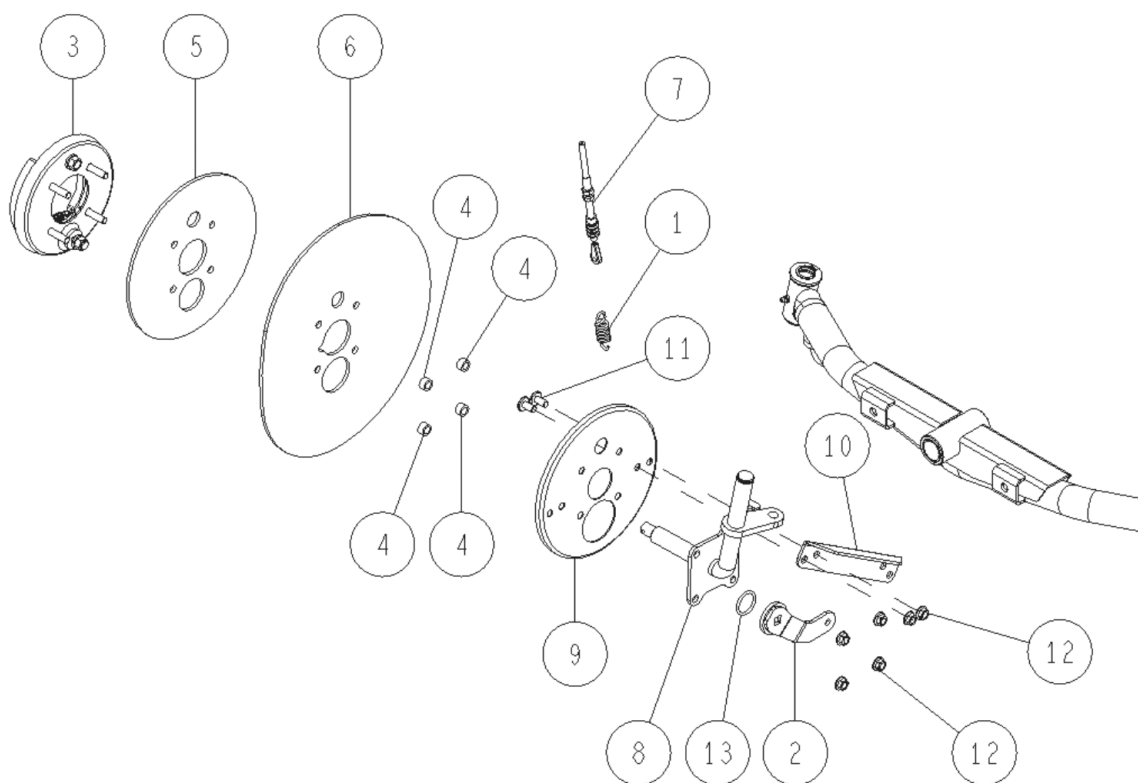
PL02417



08/2017

Number	Part Number	Name	Quantity
1	27667	FR.WHEEL DUST COVER	1,000
2	34635	WHEEL BOSS	1,000
3	34636	BUSH	1,000
4	34255	WHEEL CAP	1,000
5	27236	LEFT FRONT WHEEL	1,000
6	27237	RIGHT FRONT WHEEL	1,000
7	27323	HEG.S.HM10X20+SPRIN	1,000
8	34378	NUT SLOTTED	1,000
9	27358	WASHER	1,000
10	27668	SPLIT PIN 2,5X25	1,000
11	27651	BEARING 6004	1,000

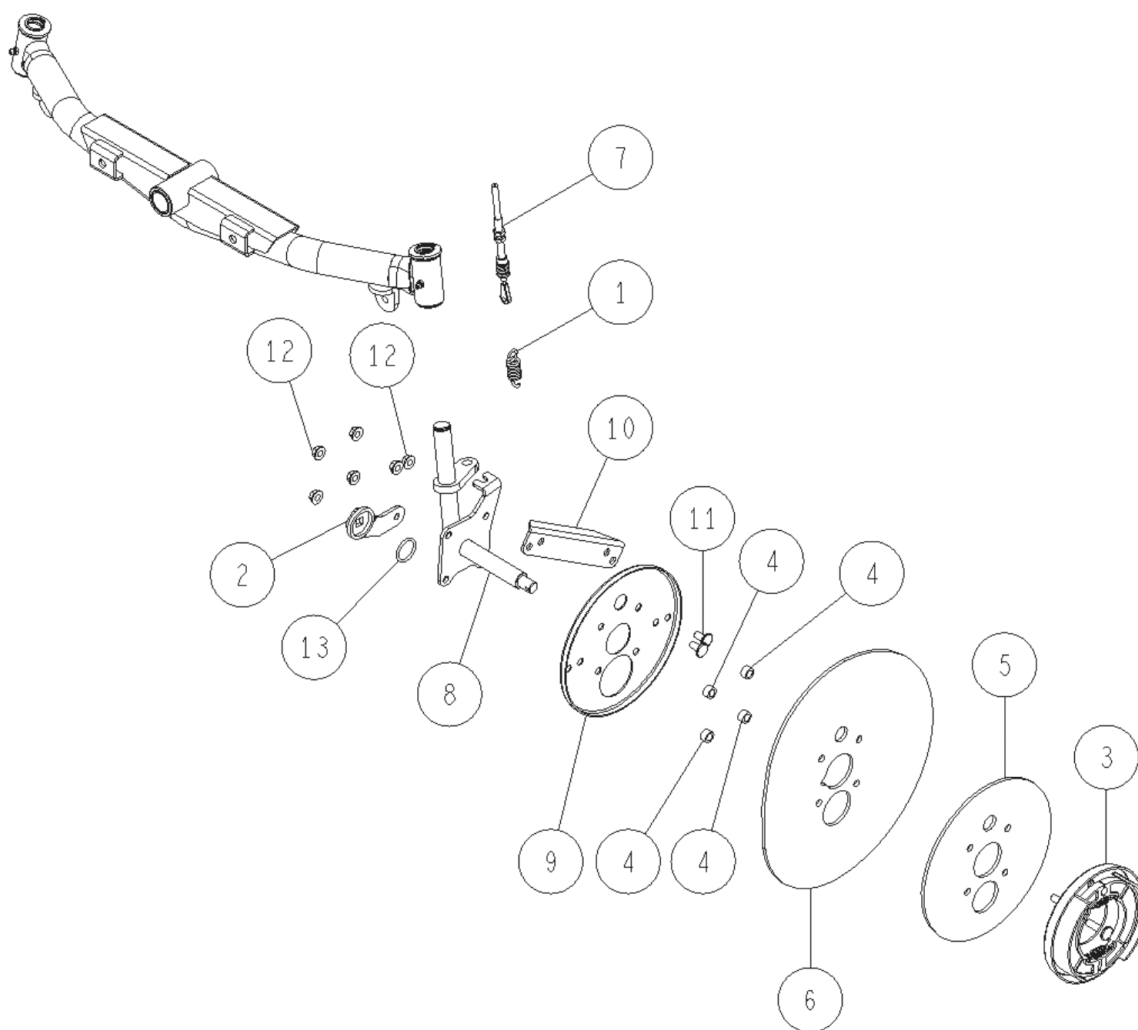
PL02418



08/2017

Number	Part Number	Name	Quantity
1	27307	SPRING	1,000
2	34638	RIGHT BRAKE LEVER	1,000
3	34641	FRONT BRAKE SHOE	1,000
4	34697	SPACER	1,000
5	34642	FRONT WHEEL COVER	1,000
6	34643	FRONT WHEEL COVER	1,000
7	34644	FRONT BRAKE CABLE	1,000
8	34679	KING PIN RIGHT	1,000
9	44042	BRAKE COVER	1,000
10	44197	BRACKET	1,000
11	27729	WELDED BOLT M8X16	1,000
12	27501	NUT FLANGE M8	1,000
13	34682	O-RING	1,000

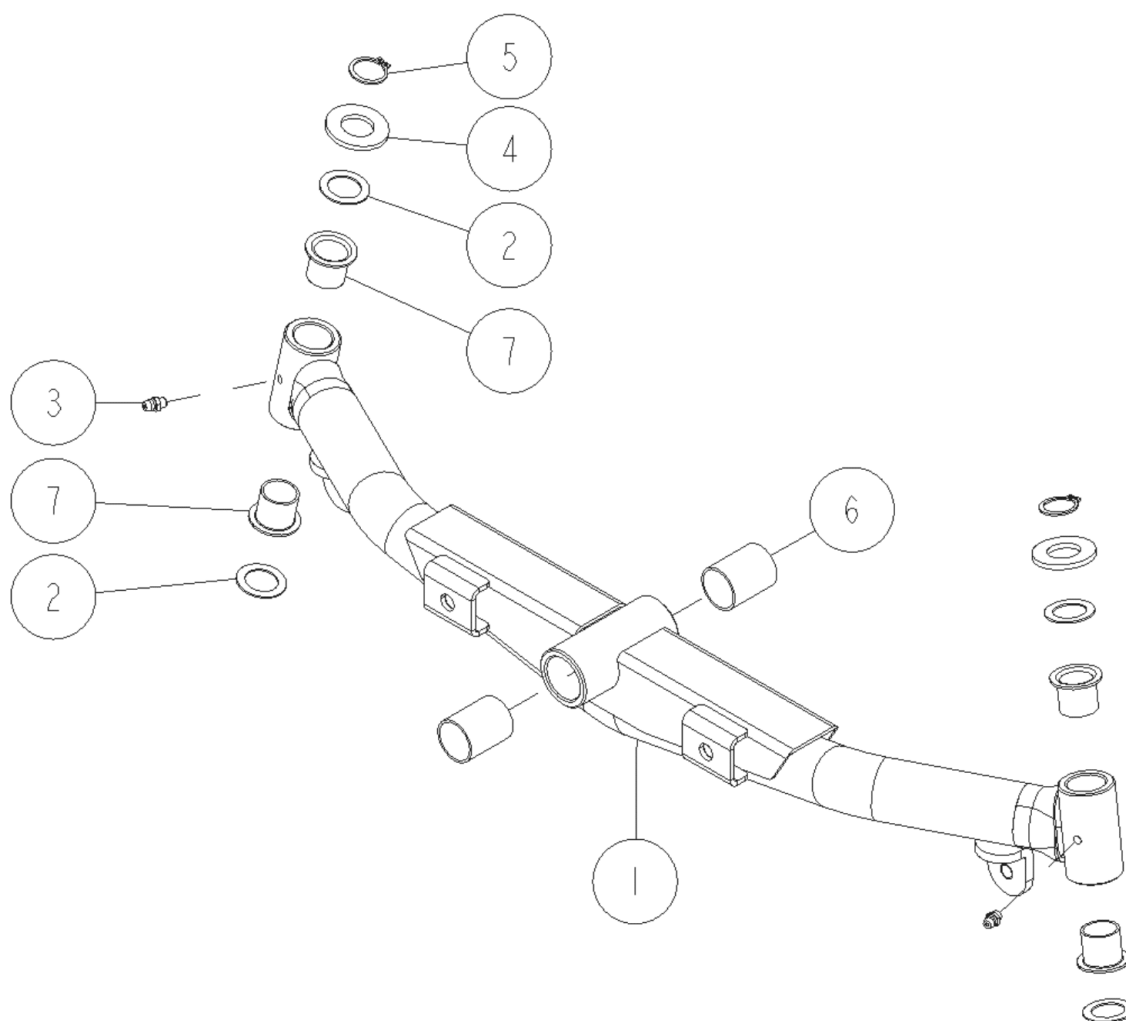
PL02419



08/2017

Number	Part Number	Name	Quantity
1	27307	SPRING	1,000
2	34637	LEFT BRAKE LEVER	1,000
3	34641	FRONT BRAKE SHOE	1,000
4	34697	SPACER	1,000
5	34642	FRONT WHEEL COVER	1,000
6	34643	FRONT WHEEL COVER	1,000
7	34644	FRONT BRAKE CABLE	1,000
8	34680	KING PIN LEFT	1,000
9	44042	BRAKE COVER	1,000
10	44197	BRACKET	1,000
11	27729	WELDED BOLT M8X16	1,000
12	27501	NUT FLANGE M8	1,000
13	34682	O-RING	1,000

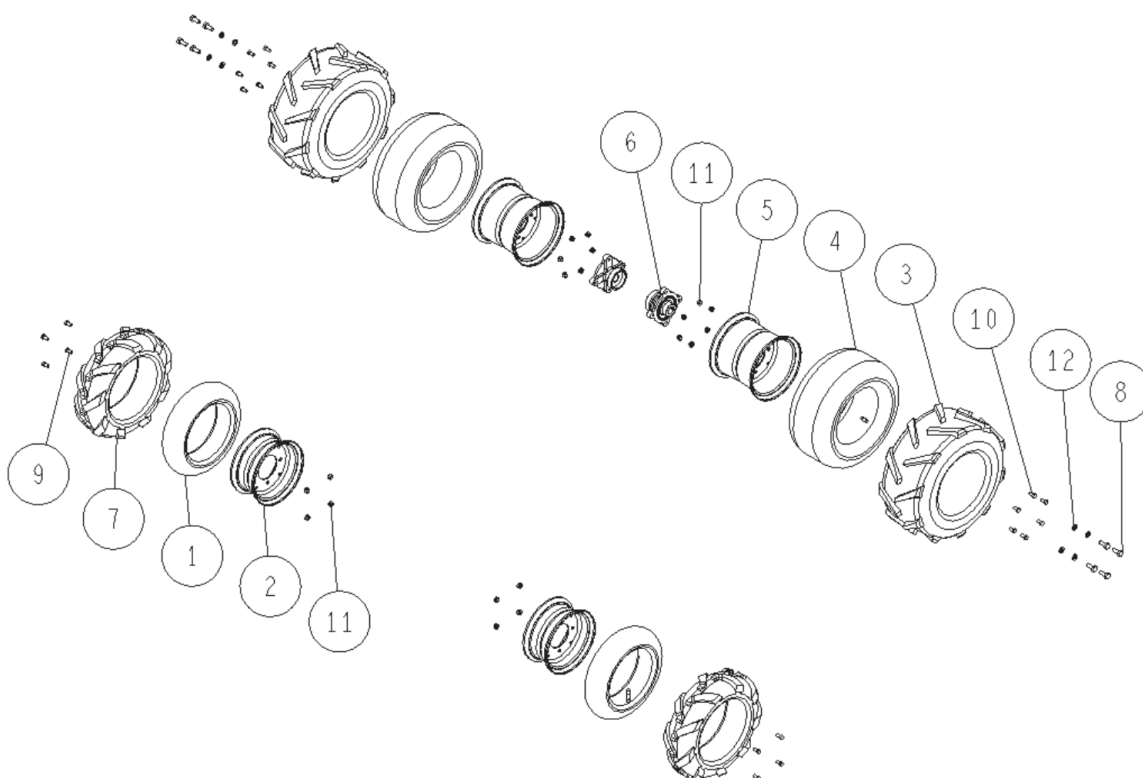
PL02420



08/2017

Number	Part Number	Name	Quantity
1	44100	FRONT AXLE AK88	1,000
2	27356	WASHER 20X30X1	1,000
3	27246	GREASE NIPPEL	1,000
4	34295	WASHER M20X38X3.2	1,000
5	27553	SNAP RING 20	1,000
6	27660	DU BUSH 25.35	1,000
7	27214	DU BUSH	1,000

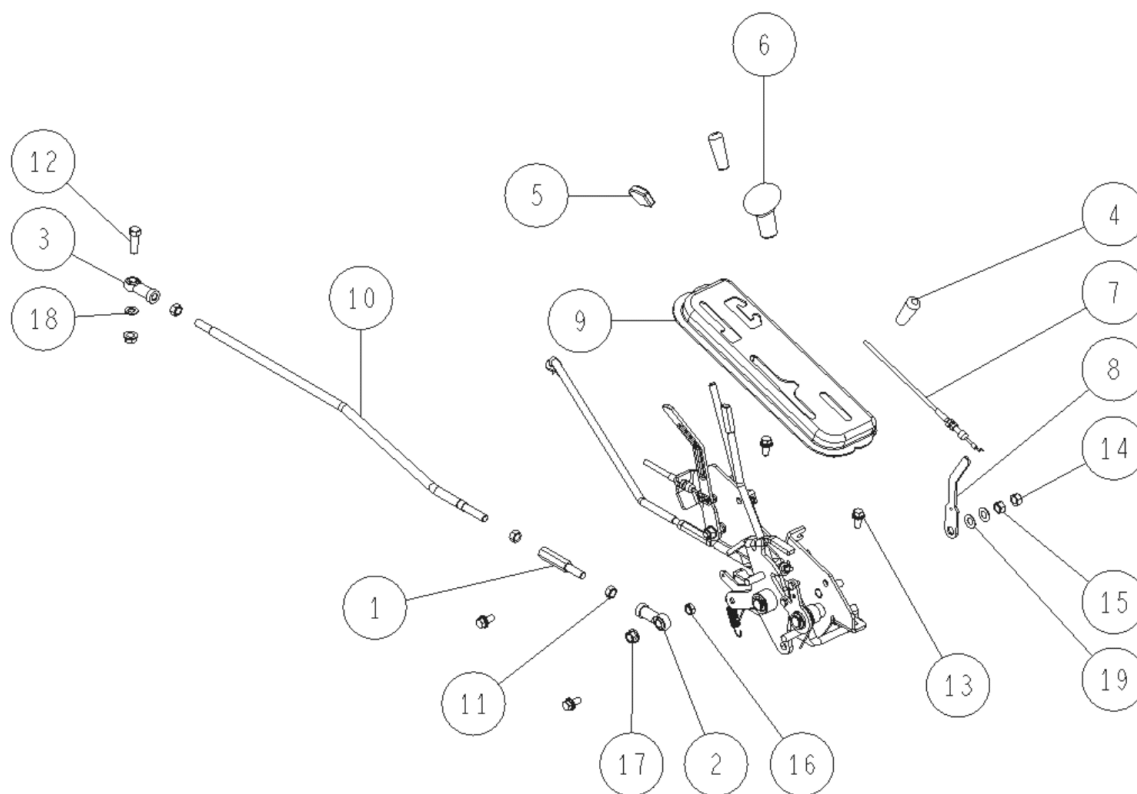
PL02421



08/2017

Number	Part Number	Name	Quantity
1	27387	INNER O AIR TUBE FR	1,000
2	27393	FRONT RIM	1,000
3	27375	REAR TYRE	1,000
4	28353	INNER TUBE REAR	1,000
5	34556	REAR RIM AV98	1,000
6	27711	REAR WHEEL BOSS	1,000
7	27377	FRONT TYRE	1,000
8	-	-	1,000
12	71052	SPRING WASHER,DIN 1	1,000

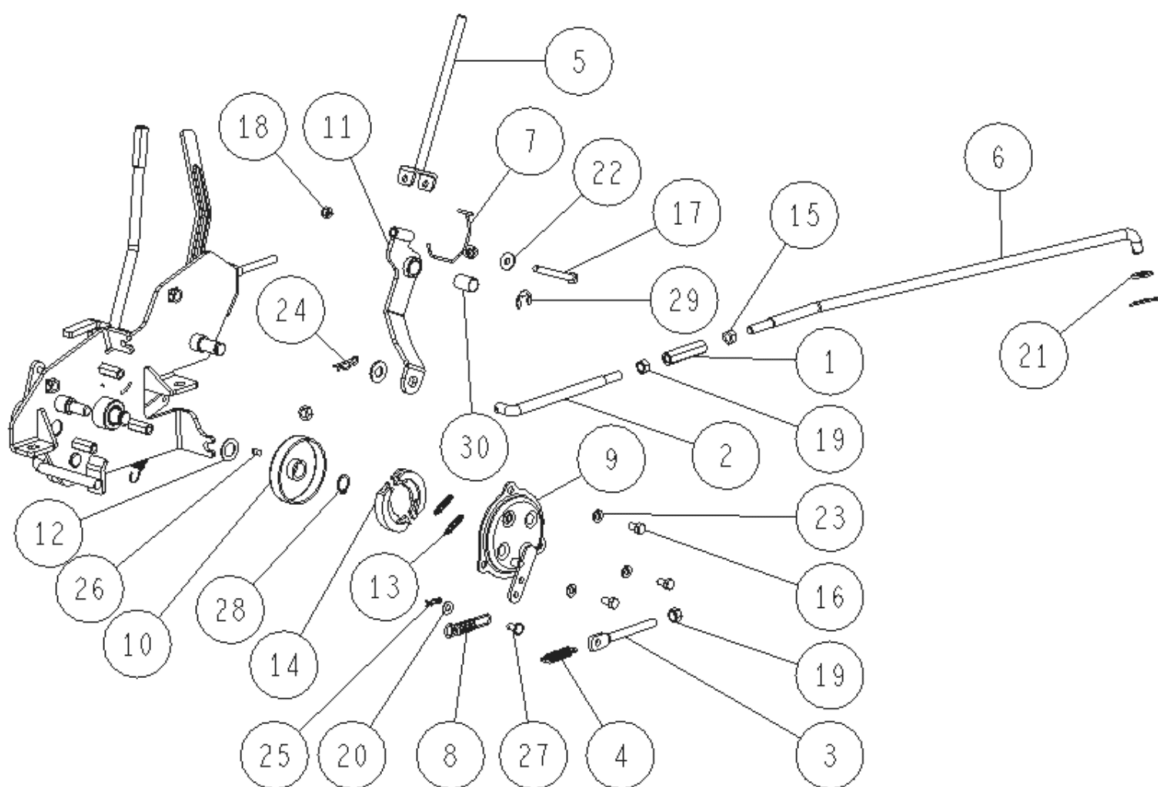
PL02422



08/2017

Number	Part Number	Name	Quantity
1	27329	TURN BACKLE	1,000
2	27206	ROD END HS 10 L	1,000
3	27551	ROD END PHS10EC	1,000
4	27770	LEVER GRIP	1,000
5	27922	LEVER GRIP	1,000
6	34106	GRIP	1,000
7	44095	GAZ CABLE	1,000
8	44000	THROTTLE LEVER	1,000
9	44171	LEVER GUIDE	1,000
10	44176	ROD ADJUSTER FRONT	1,000
11	34294	NUT M10 LEFT	1,000
12	34307	SCREW M10X30	1,000
13	34309	SCREW M8X20	1,000
14	9017	NUT HM10	1,000
15	27231	COUNTER NUT M10X150	1,000
16	-	-	1,000
17	34317	NUT 10	1,000
18	27322	WASHER 10	1,000
19	34330	WASHER H10	1,000

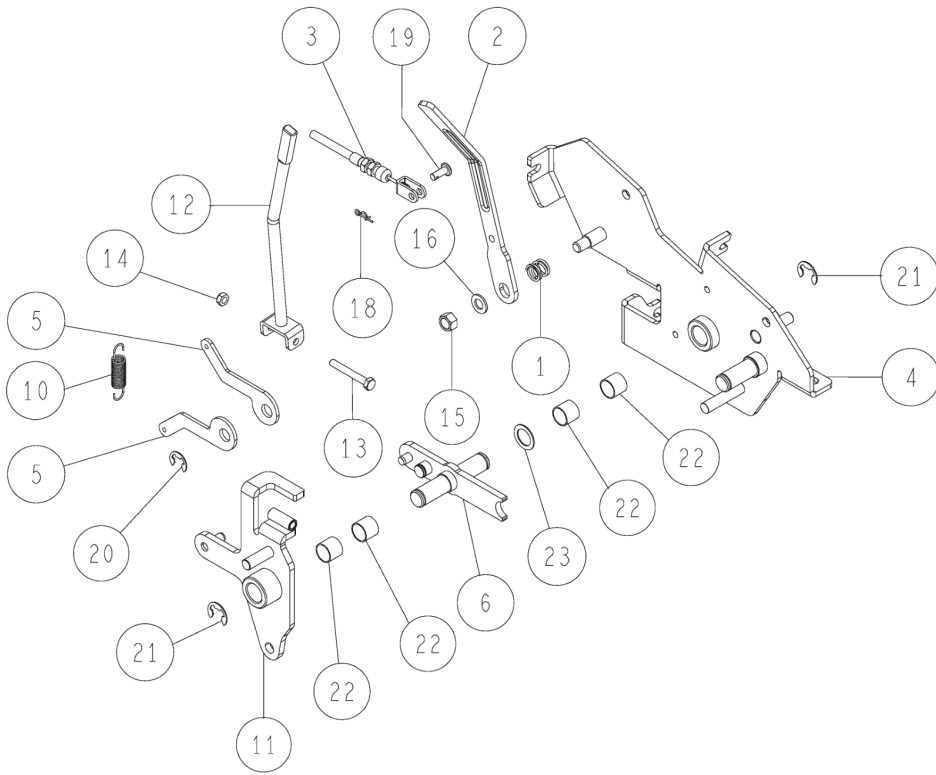
PL02423



08/2017

Number	Part Number	Name	Quantity
1	27258	TURN BUCKLE M8X50	1,000
2	27787	SUB CHANGE ROD	1,000
3	27756	CHANGE BRAKE ADJUST	1,000
4	34111	SPRING	1,000
5	34135	LEVER	1,000
6	34139	ROD	1,000
7	34243	SPRING	1,000
8	44002	BRAKE SPRING	1,000
9	44003	BRAKE COVER	1,000
10	44004	BRAKE DRUM	1,000
11	44173	PLATE	1,000
12	44214	WASJER 14X23X1	1,000
13	44216	SPRING	1,000
14	44217	BRAKE SHOE SET	1,000
15	34293	-> 27411	1,000
16	27457	HEXA.SCREW M6X12 8T	1,000
17	-	-	1,000
20	34318	WASHER 6	1,000
22	34322	WASHER 6	1,000
23	71049	SPRING WASHER,DIN 1	1,000
24	34333	PIN	1,000
25	27751	SNAP PIN 6	1,000
27	44218	AXLE 6X12	1,000
29	27428	E TYPE RING 10	1,000
30	27520	BUSH MB 122 ODV	1,000

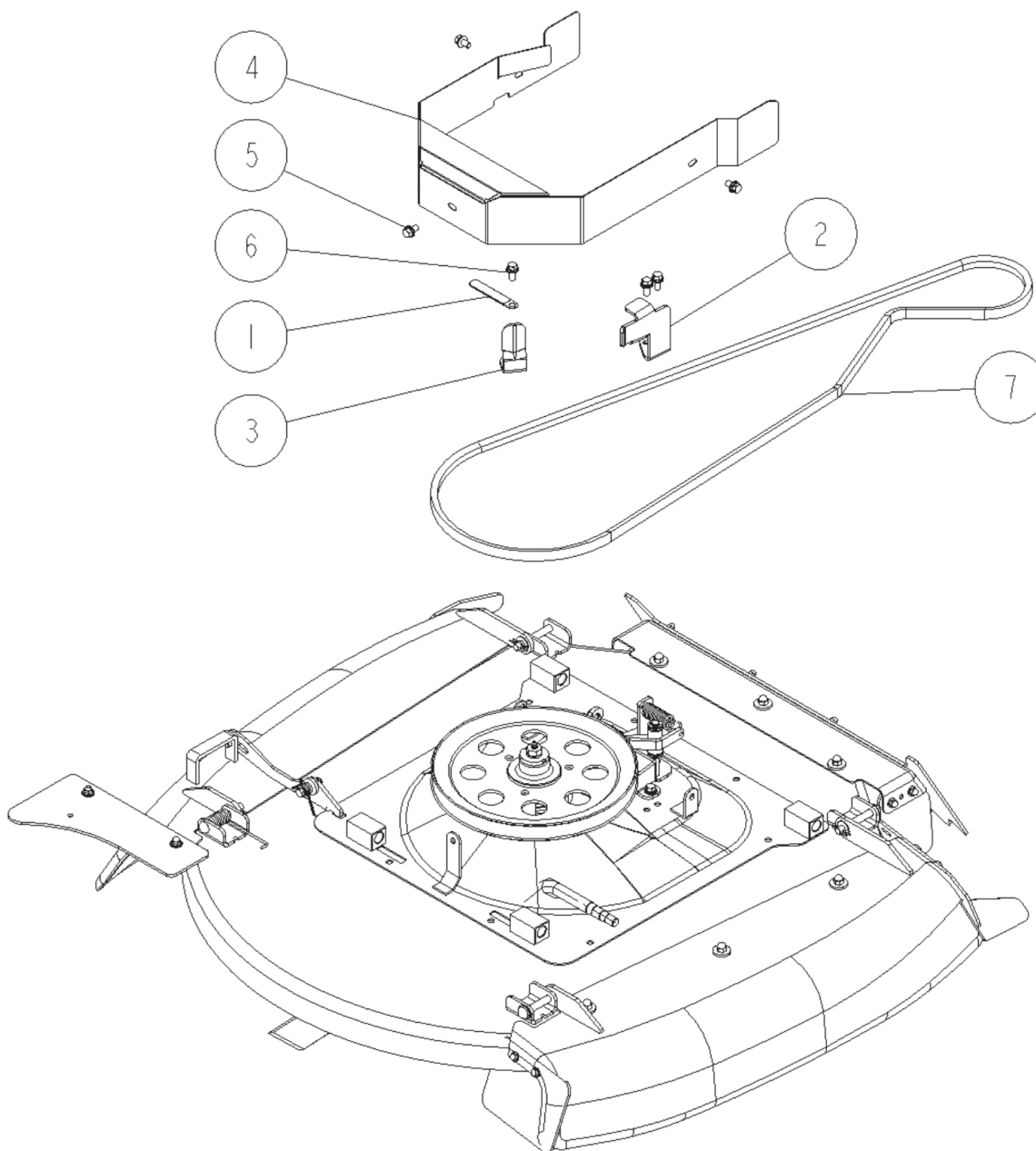
PL02624



10/2019

Number	Part Number	Name	Quantity
1	27304	CTRL.SHAFT SPRING	1,000
2	34137	LEVER	1,000
3	43980	DIFFER.LOCK CABLE	1,000
4	43997	LEVER BRACKET	1,000
5	43998	ARM	1,000
6	44290	LEVER SHAFT	1,000
7	34243	SPRING	1,000
8	44001	SPRING	1,000
9	44051	REVERSE ARM	1,000
10	44099	SPRING	1,000
11	44291	LEVER GUIDE	1,000
12	44172	LEVER	1,000
13	-	-	1,000
16	27322	WASHER 10	1,000
17	34322	WASHER 6	1,000
18	27751	SNAP PIN 6	1,000
19	27754	FLAT PIN 6X16	1,000
20	27428	E TYPE RING 10	1,000
21	27313	SNAP RING E TYPE 12	1,000
22	34343	BUSH 16-15 DU	1,000
23	27364	WASHER 16X24X1	1,000

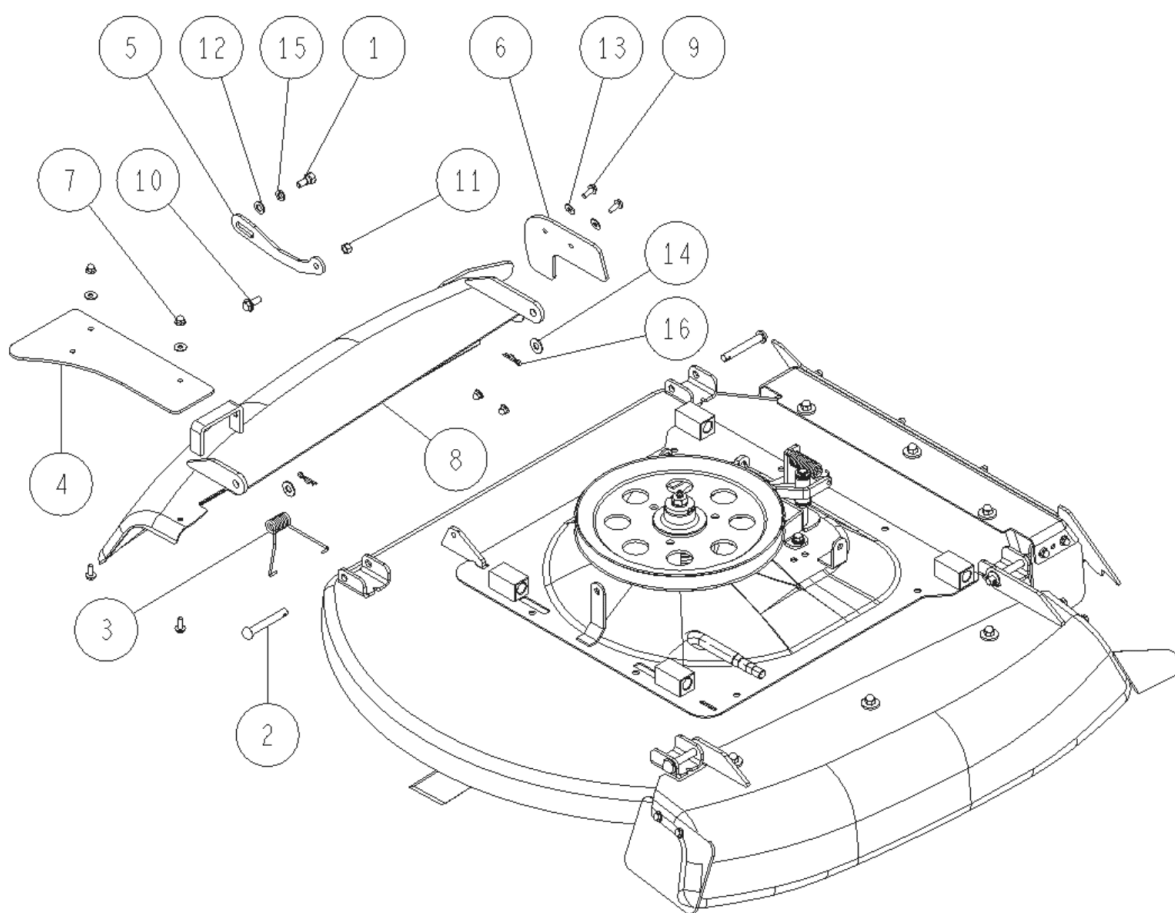
PL02425



08/2017

Number	Part Number	Name	Quantity
1	27314	HARNESS CLIP	1,000
2	34179	LEFT BELT GUIDE	1,000
3	34181	BELT GUIDE	1,000
4	44198	BELT COVER	1,000
5	34308	SCREW M8X16	1,000
6	34309	SCREW M8X20	1,000
7	34348	BLADE BELT	1,000

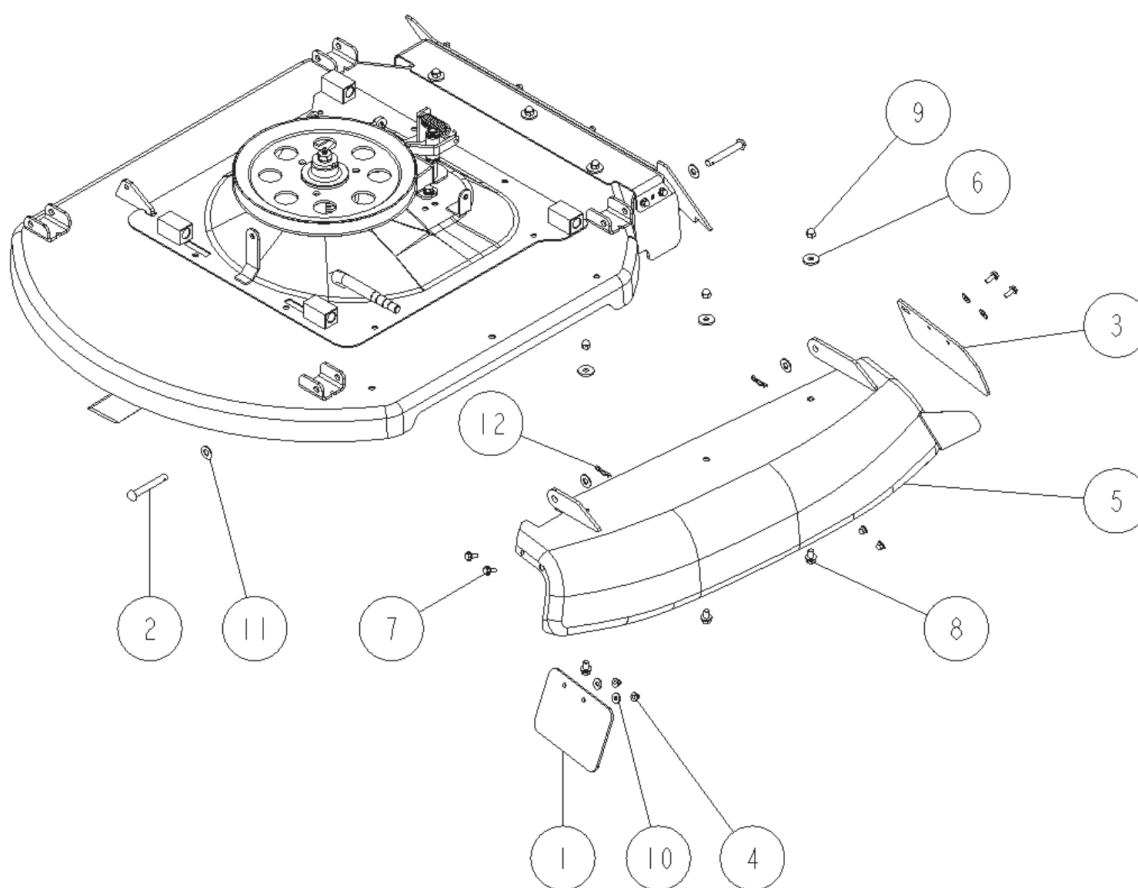
PL02426



08/2017

Number	Part Number	Name	Quantity
1	27417	DEFLECTOR SCREW	1,000
2	43979	DEFLECTOR AXLE	1,000
3	34229	SPRING	1,000
4	34587	RUBBER FLAPPER	1,000
5	34277	R.COVER UP.DOWN ARM	1,000
6	34852	RIGHT REAR COVER	1,000
7	-	-	1,000
8	44199	DEFLECTOR RIGHT	1,000
9	27893	SCREW HM6X20+WASHER	1,000
12	27322	WASHER 10	1,000
13	34322	WASHER 6	1,000
14	34327	WASHER 10	1,000
15	71343	SPRING WASHER A8	1,000
16	34333	PIN	1,000

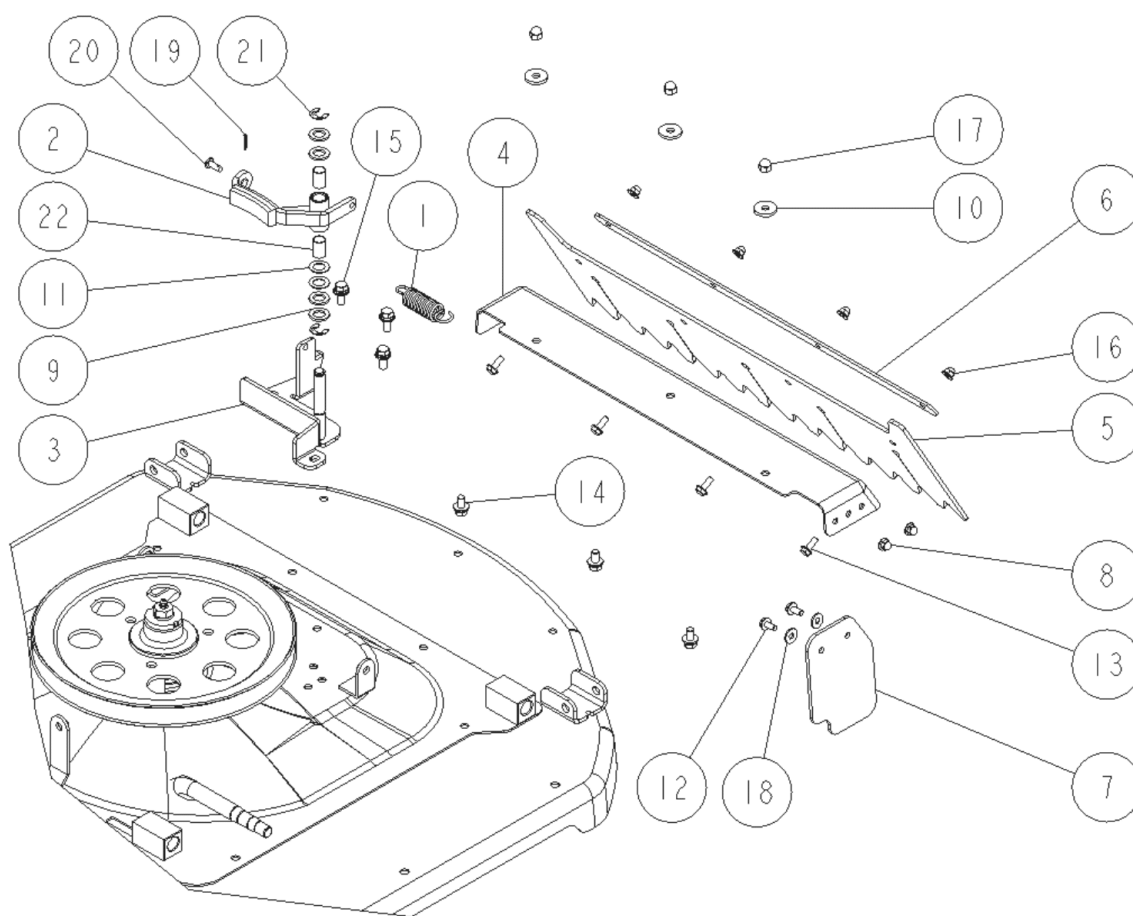
PL02427



08/2017

Number	Part Number	Name	Quantity
1	43978	FRONT UPPER GUARD	1,000
2	43979	DEFLECTOR AXLE	1,000
3	34698	RUBBER FLAPPER	1,000
4	-	-	1,000
5	44200	DEFLECTOR LEFT	1,000
7	27893	SCREW HM6X20+WASHER	1,000
8	34308	SCREW M8X16	1,000
10	34322	WASHER 6	1,000
11	34327	WASHER 10	1,000
12	34333	PIN	1,000

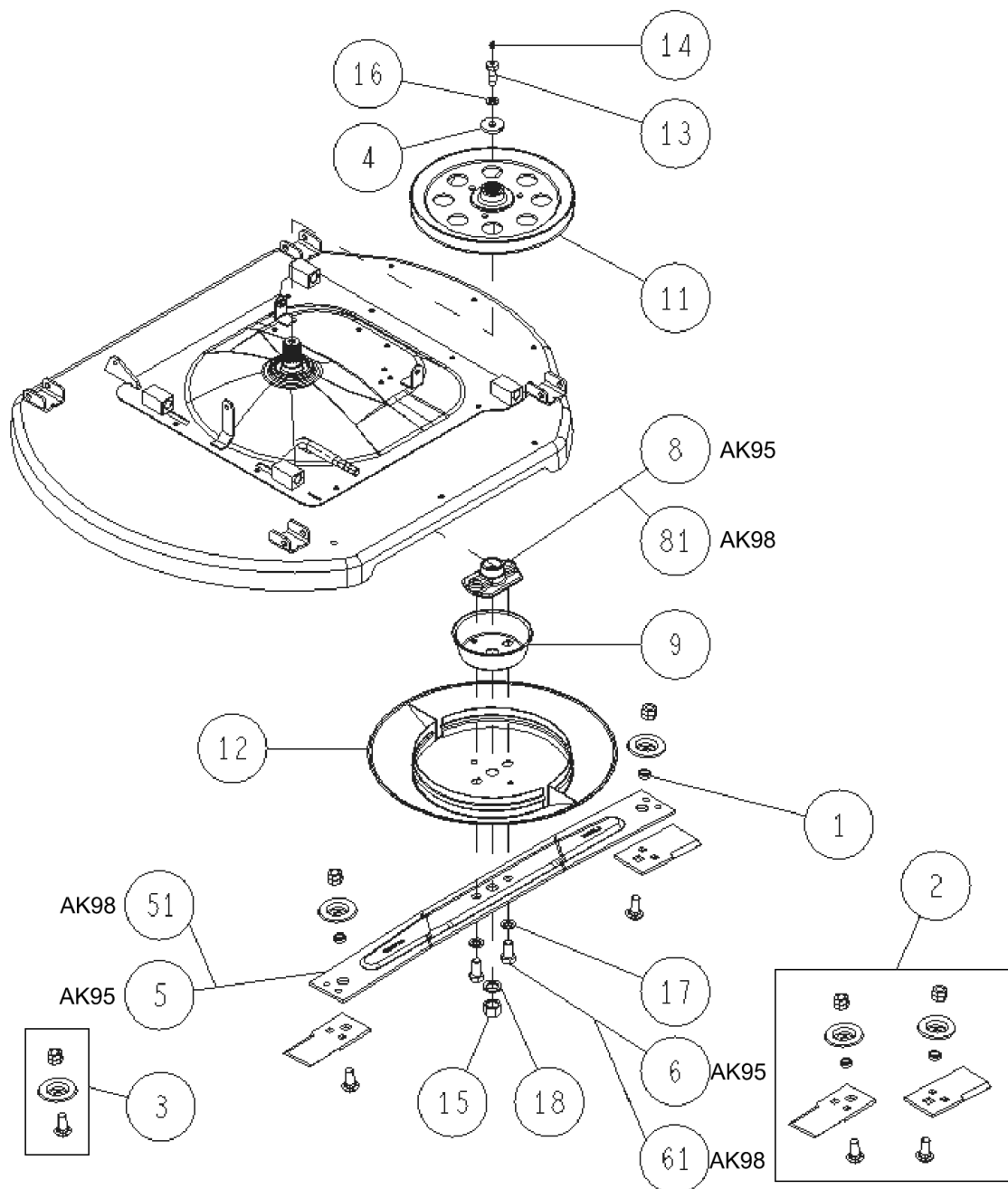
PL02428



08/2017

Number	Part Number	Name	Quantity
1	27222	TENS.SPRING	1,000
2	34187	BLADE BRAKE	1,000
3	34848	BRACKET	1,000
4	34203	-> 44069	1,000
5	34204	RUBBER FLAPPER	1,000
6	34205	FRONTGUARD	1,000
7	44024	FLAPPER REAR LEFT	1,000
8	-	-	1,000
9	27415	WASHER 13X21X2,3	1,000
11	27894	WASHER 13X22X1	1,000
12	34302	SCREW M6X15	1,000
13	27893	SCREW HM6X20+WASHER	1,000
14	34308	SCREW M8X16	1,000
15	34309	SCREW M8X20	1,000
18	34322	WASHER 6	1,000
19	27337	SPLINT PIN 2X15	1,000
20	27754	FLAT PIN 6X16	1,000
21	27428	E TYPE RING 10	1,000
22	27520	BUSH MB 122 ODV	1,000

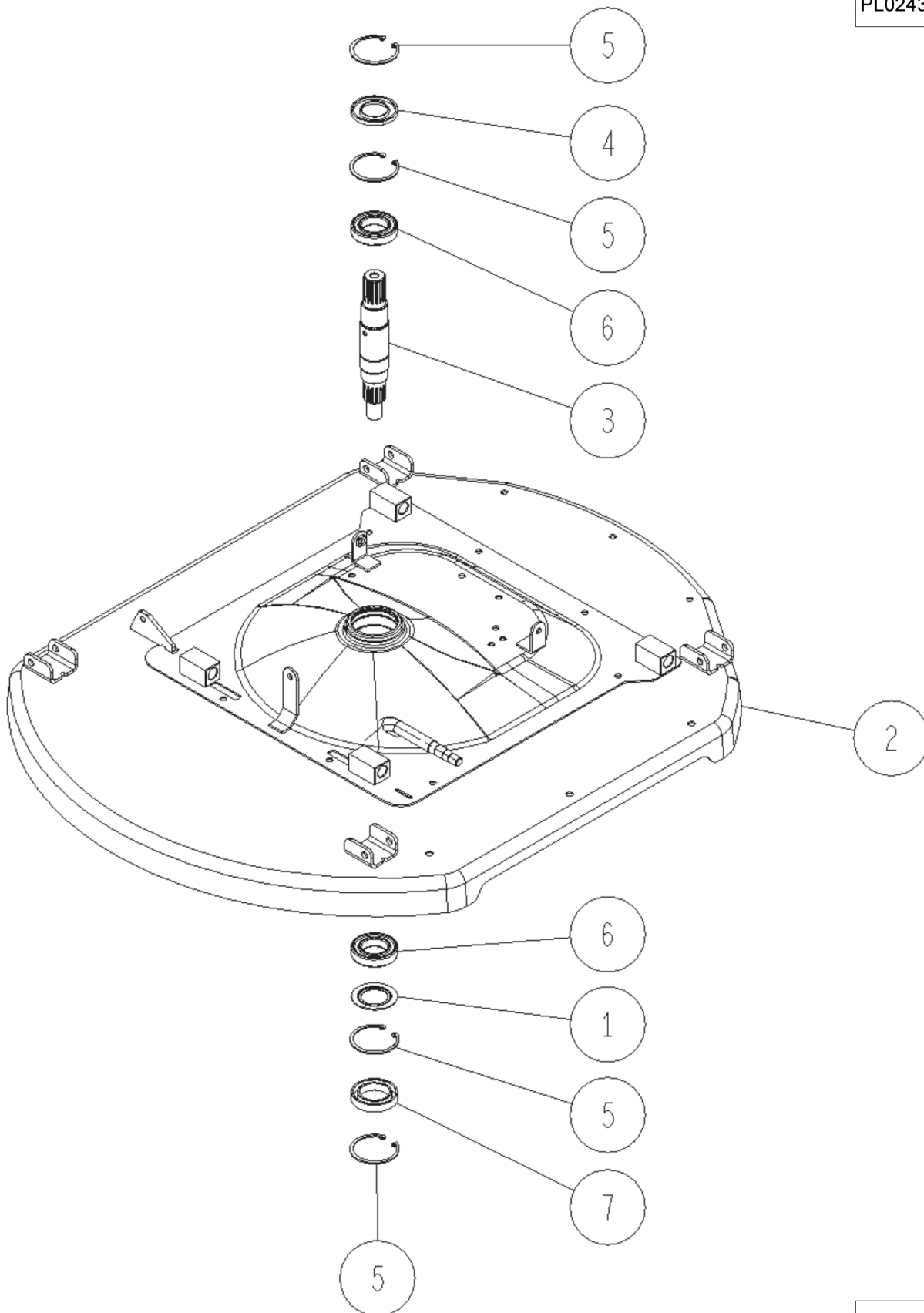
PL02429



08/2017

Number	Part Number	Name	Quantity
1	27266	KNIFE COLLAR	1,000
2	MC85	SWING TIP KIT	1,000
3	27543	FIXING KIT MC85	1,000
4	34109	WASHER 12X40X6	1,000
5	27877	BLADE BODY AV95	1,000
6	-	-	1,000
8	27582	BLADE COUPLING 88	1,000
9	34194	PROTECTION	1,000
11	44023	BLADE PULLEY	1,000
12	44026	PROTECTION	1,000
14	27246	GREASE NIPPEL	1,000
15	34292	STOP NUT M20	1,000
16	27353	SPRING WASHER A12	1,000
18	27408	SPRING WASHER 20	1,000
51	34190	BLADE BODY AT.98	1,000
61	34192	SCREW	1,000
81	34193	BLADE COUPLING	1,000

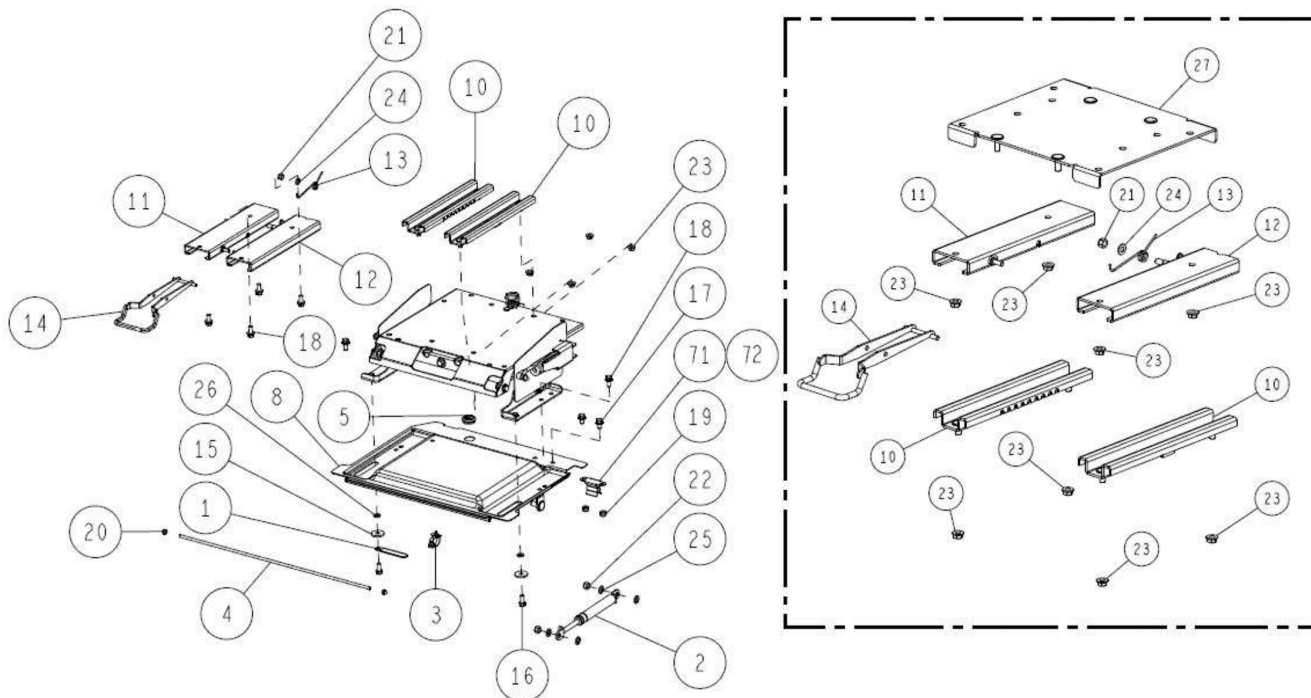
PL02430



08/2017

Number	Part Number	Name	Quantity
1	27565	DUST COVER	1,000
2	44028	CUTTING DECK	1,000
3	44073	AXLE	1,000
4	27254	OIL SEAL UE35.62.10	1,000
5	27397	SNAP RING 62	1,000
6	24832	BEARING 6007-2RS1	1,000
7	27255	OIL SEAL AP40.62.12	1,000

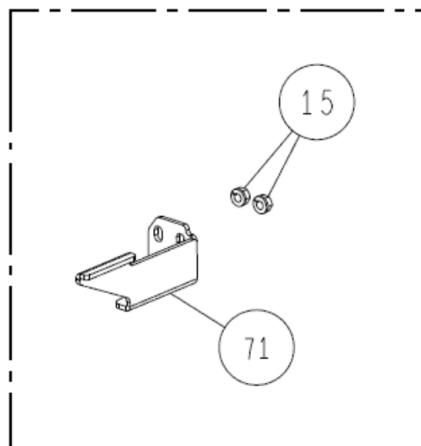
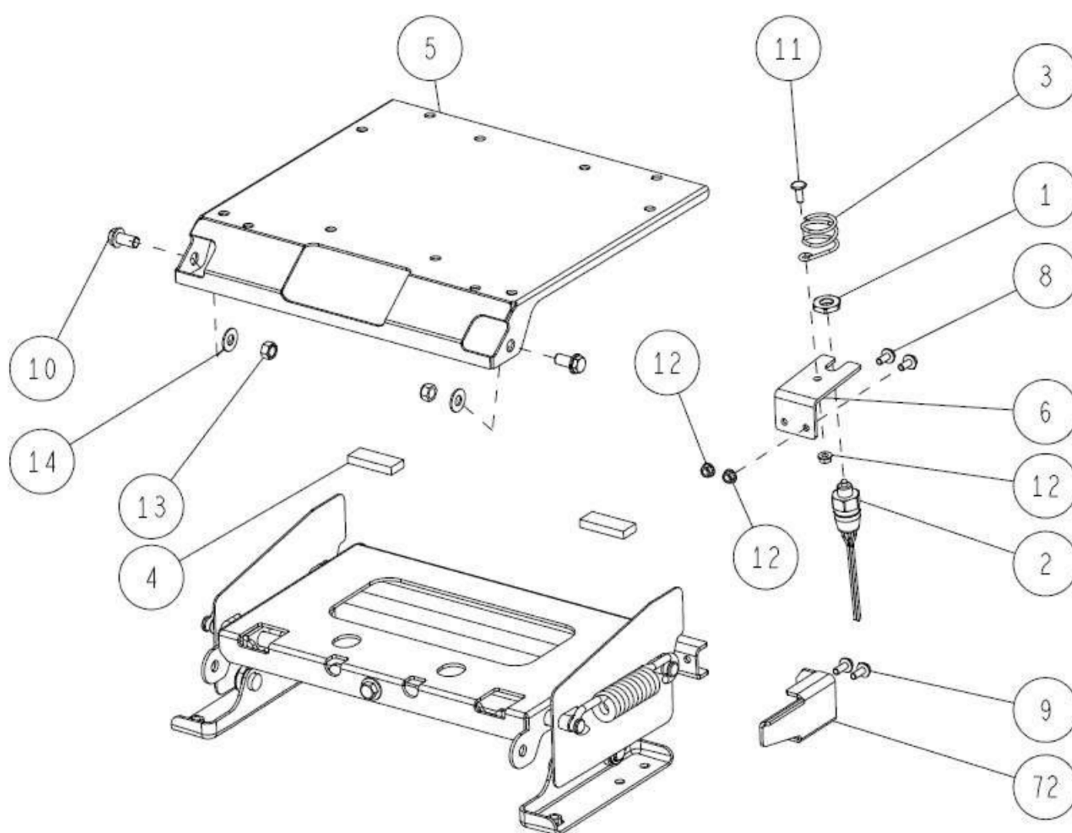
PL02553



11/2018

Number	Part Number	Name	Quantity
1	27314	HARNESS CLIP	1,000
2	27695	GAS SPRING KMF50-40	1,000
3	43960	CLIP CT 339	1,000
4	34160	SEAT BRACKET AXLE	1,000
5	34246	PROTECTION D.24	1,000
8	44054	SEAT BRACKET	1,000
10	44233	SEAT GUIDE	1,000
11	44234	SEAT GUIDE	1,000
12	44235	SEAT GUIDE	1,000
13	44236	SPRING	1,000
14	44237	SEAT GUIDE LEVER	1,000
15	-	-	1,000
17	34308	SCREW M8X16	1,000
18	34309	SCREW M8X20	1,000
19	34315	NUT 8	1,000
23	27501	NUT FLANGE M8	1,000
24	34319	WASHER 8X18X1,6	1,000
25	27322	WASHER 10	1,000
26	71343	SPRING WASHER A8	1,000
27	44240	BRACKET	1,000
71	44033	CLIP SEAT COVER	1,000
72	44232	CLIP	1,000

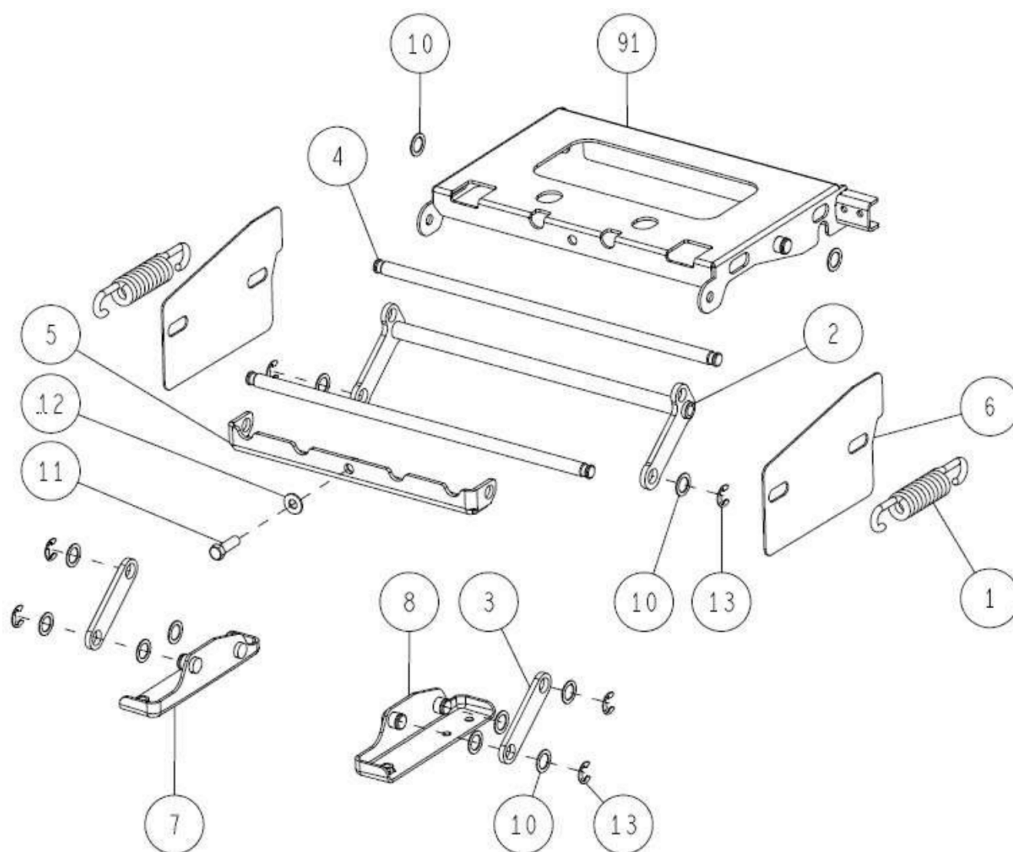
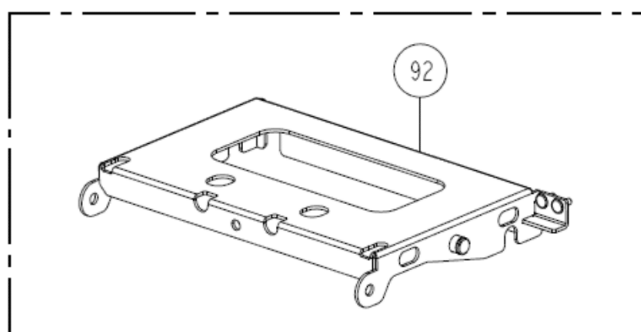
PL02432



11/2018

Number	Part Number	Name	Quantity
1	27856	SWITCH LOCK NUT	1,000
2	27855	SAFETY SWITCH	1,000
3	44117	SEAT SPRING	1,000
4	44009	PIN	1,000
5	44115	SEAT BRACKET	1,000
6	44116	KEY SWITCH BRACKET	1,000
8	34302	SCREW M6X15	1,000
9	27893	SCREW HM6X20+WASHER	1,000
10	-	-	1,000
11	34312	SCREW M6X16	1,000
12	34313	NUT 6	1,000
13	9017	NUT HM10	1,000
14	34327	WASHER 10	1,000
15	34314	NUT 6	1,000
71	44194	BRACKET	1,000
72	44238	BRACKET	1,000

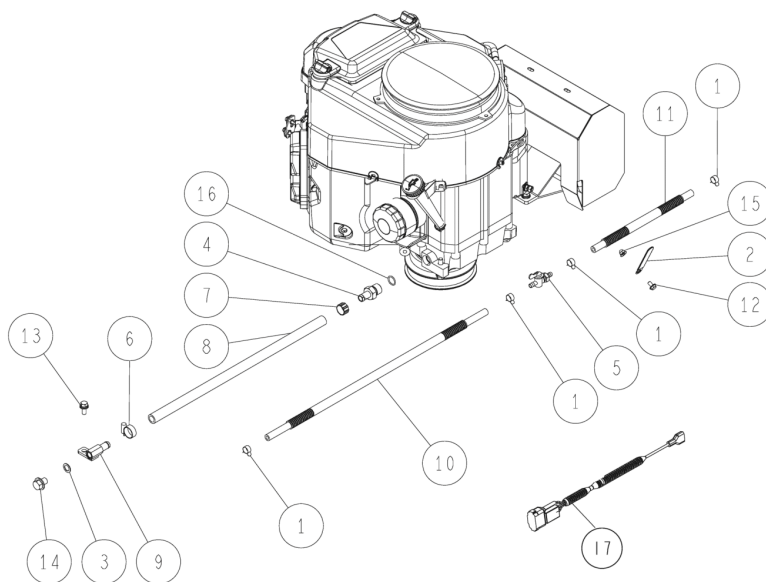
PL02433



08/2017

Number	Part Number	Name	Quantity
1	34225	SPRING	1,000
2	44005	HINGE	1,000
3	44006	SEAT LINK	1,000
4	44007	SEAT BRACKET AXLE	1,000
5	44008	AXLE BRACKET	1,000
6	44105	COVER SEAT BRACKET	1,000
7	44191	BRACKET FONT RIGHT	1,000
8	44192	BRACKET FRONT LEFT	1,000
10	27364	WASHER 16X24X1	1,000
11	-	-	1,000
12	34327	WASHER 10	1,000
13	27313	SNAP RING E TYPE 12	1,000
91	44239	BRACKET	1,000
92	44193	BRACKET	1,000

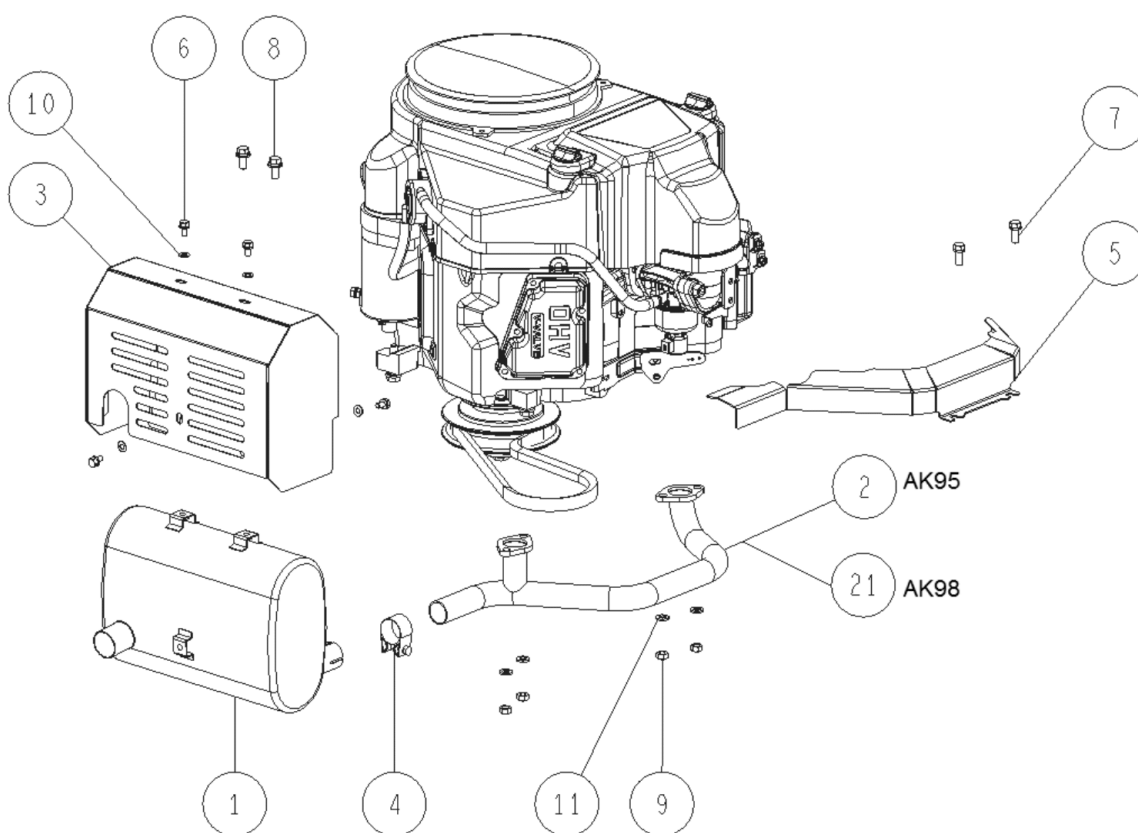
PL02627



10/2019

Number	Part Number	Name	Quantity
1	34288	COLLAR 17	1,000
2	27314	HARNESS CLIP	1,000
3	27864	COPPER PACKING	1,000
4	43976	CONNECTION	1,000
5	34248	FUEL STOP VALVE	1,000
6	-	-	1,000
8	44021	EMPTYING PIPE	1,000
9	44022	OIL CHANGE ADAPTER	1,000
10	44078	FUEL LINE 600	1,000
11	44079	FUEL LINE 270	1,000
12	27896	SCREW+WASHER HM6X12	1,000
13	34309	SCREW M8X20	1,000
14	27865	FLANGE BOLT	1,000
16	27499	O RING P16	1,000
17	44293	ENGINE WIRING	1,000

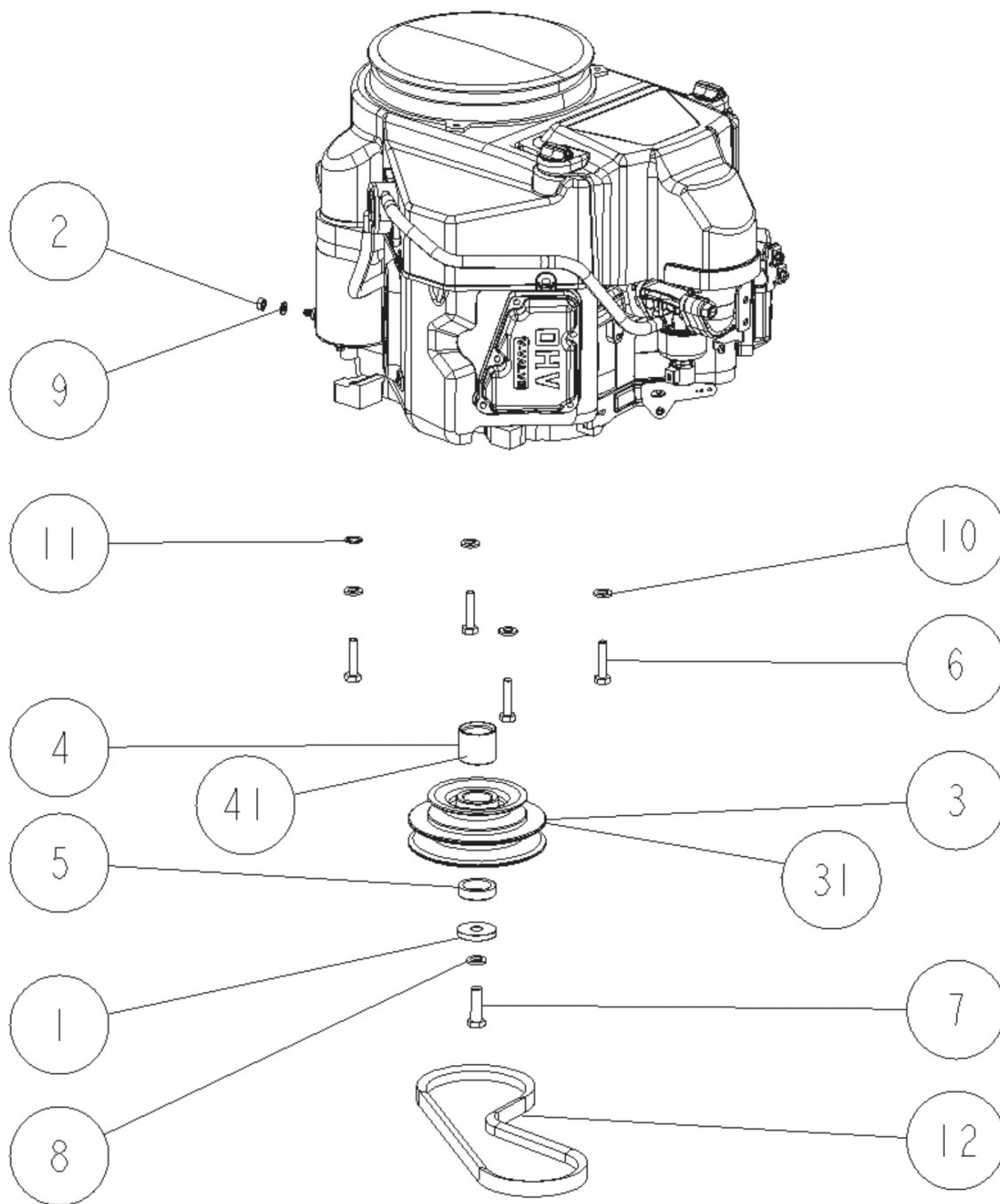
PL02435



08/2017

Number	Part Number	Name	Quantity
1	44016	MUFFLER	1,000
2	44062	EXHAUST COLLECTOR	1,000
3	44018	HOT PROTECTION	1,000
4	44034	KLAMP MUFFLER	1,000
5	44101	HEAT PROTECTION	1,000
6	-	-	1,000
8	34309	SCREW M8X20	1,000
11	71343	SPRING WASHER A8	1,000
21	44017	MUFFLER COLLECTOR	1,000

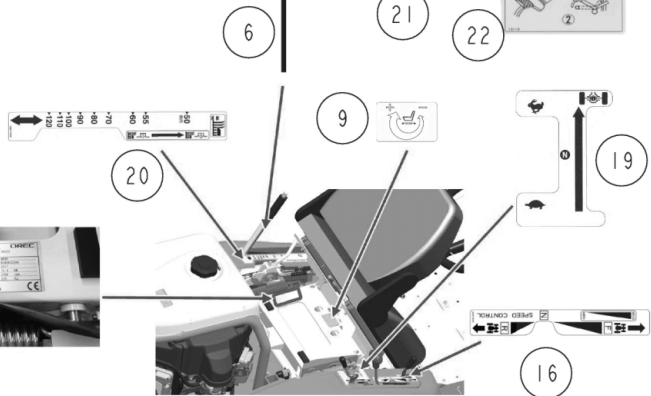
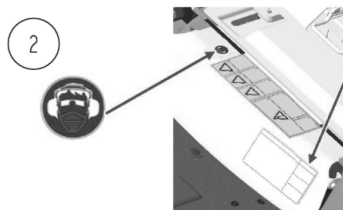
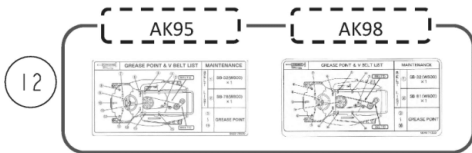
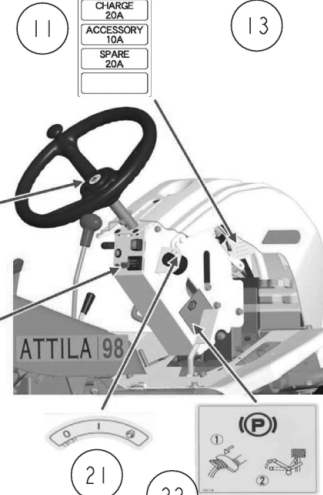
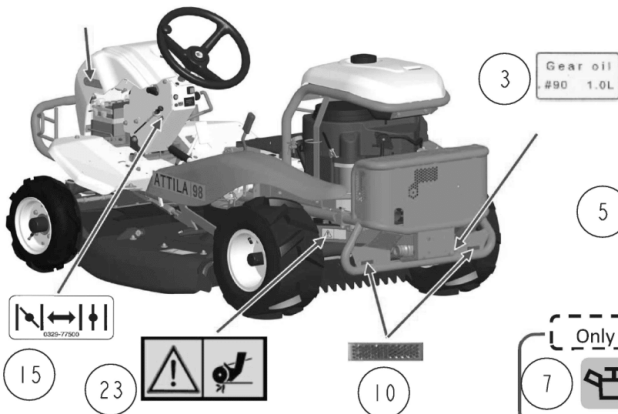
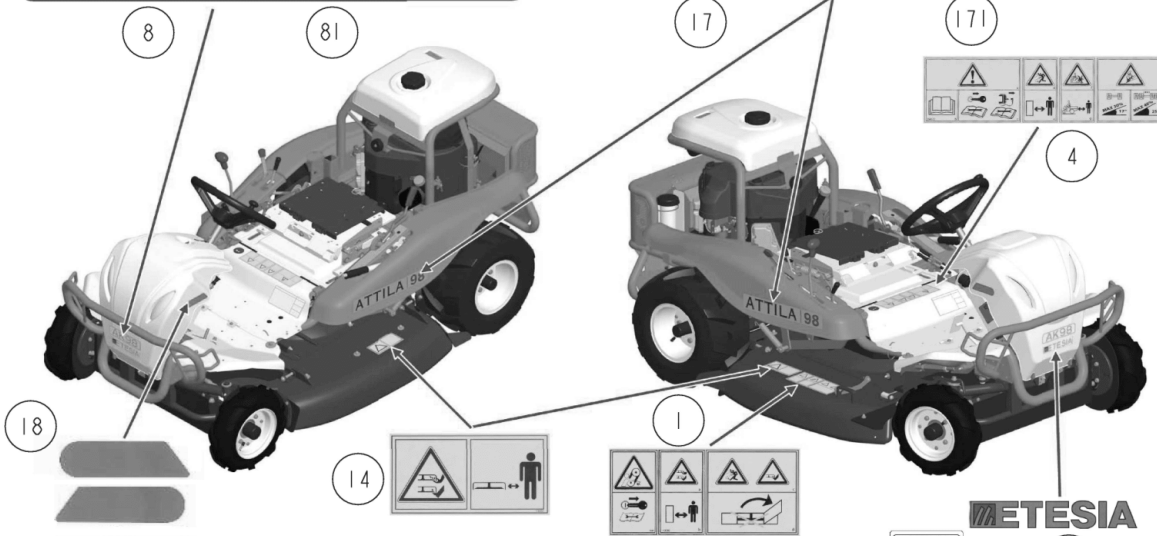
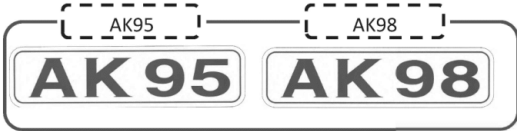
PL02436



08/2017

Number	Part Number	Name	Quantity
1	27713	WASHER 11X40X6	1,000
2	43959	NUT UNF 1/4	1,000
3	44067	ENGINE PULLEY	1,000
4	43973	PIN	1,000
5	43977	PIN	1,000
6	44020	SCREW UNC 3/8-16-38	1,000
7	34755	SCREW 7/16-35	1,000
8	34297	WASHER 7/16	1,000
9	71049	SPRING WASHER,DIN 1	1,000
10	71052	SPRING WASHER,DIN 1	1,000
11	-	-	1,000
12	27217	BELT HP2SB32	1,000
31	34107	ENGINE PULLEY	1,000
41	34175	BUSH	1,000

PL02628



10/2019

Number	Part Number	Name	Quantity
1	13089	ETIQ. TRAPPE FR.	1,000
2	12136	SOUNDPROOF LABEL	1,000
3	27903	OIL LABEL	1,000
4	13021	STICKER	1,000
5	25330	BADGE - ETESIA	1,000
6	34282	STICKER CUT.HEIGHT	1,000
7	34281	STICKER OIL AV98	1,000
8	44127	STICKER AK95	1,000
9	44040	STICKER SEAT	1,000
10	-	-	1,000
11	44097	STICKER	1,000
12	44128	STICKER MAINTENANCE	1,000
13	13086	STICKER ETESIA	1,000
14	13062	STICKER CUT-DECK	1,000
17	13339	STICKER ATTILA 95_2	1,000
19	44208	STICKER	1,000
21	13121	LABEL KEY	1,000
22	13113	STICKER	1,000
23	34580	STICKER	1,000
81	44209	STICKER AK98	1,000
171	13254	STICKER ATTILA 98	1,000